

Kelvinator 

 **FRIGIDAIRE®**

**SOFTLINE COMPACT SERIES
REFRIGERATOR / FREEZERS**

MODELS:

P120R

C120R – C190R – C270R

C170TR – C250TR – C240BR

VERTICAL FREEZERS

MODELS:

F160R – F230R

220/240 Volt 50 Hz

R series – R134a Refrigerant

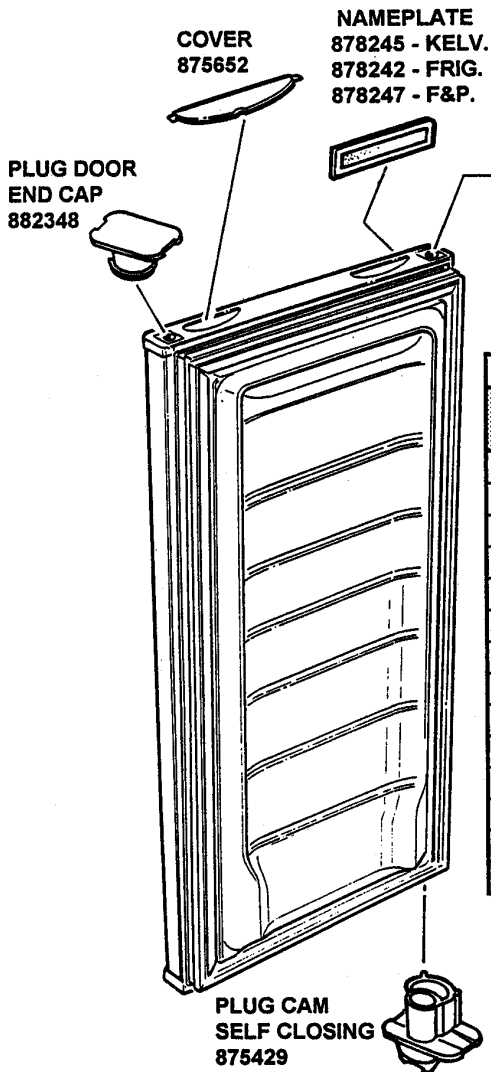
517578

CONTENTS

| | |
|---|----|
| SUPPLEMENTARY PAGE | 4 |
| SECTION I..... | 5 |
| SOFTLINE COMPACT SERIES MODEL P120R | 5 |
| A1: DOOR COMPONENTS PROVISION COMPARTMENT | 6 |
| B1: CABINET & PROVISION COMPARTMENT COMPONENTS | 10 |
| B2: CABINET ROLLER COMPONENTS | 12 |
| B3 CONTROL MODULE COMPONENTS | 14 |
| C1: CABINET REAR AND COMPRESSOR COMPARTMENT..... | 16 |
| SECTION II..... | 19 |
| SOFTLINE COMPACT SERIES MODELS C120R, C190R, C270R | 19 |
| A1: DOOR COMPONENTS PROVISION COMPARTMENT | 20 |
| B1: CABINET AND PROVISION COMPARTMENT COMPONENTS | 24 |
| B2: CABINET AND PROVISION COMPARTMENT COMPONENTS | 26 |
| B3: CABINET ROLLER COMPONENTS | 28 |
| B4: CONTROL MODULE COMPONENTS..... | 30 |
| B5: EVAPORATOR PLATE – DEFROST HEATER..... | 32 |
| C1: CABINET REAR & COMPRESSOR COMPARTMENT | 34 |
| SECTION III..... | 37 |
| SOFTLINE COMPACT SERIES MODELS C170TR & C250TR & C240BR..... | 37 |
| A1: DOOR COMPONENTS PROVISION AND FREEZER COMPARTMENT | 38 |
| A2: DOOR COMPONENTS PROVISION & FREEZER COMPARTMENTS..... | 42 |
| B1: CABINETS & PROVISION / FREEZER COMPARTMENT COMPONENTS | 46 |
| B2: CABINET & PROVISION / FREEZER COMPARTMENT COMPONENTS | 50 |
| B3: CABINET ROLLER COMPONENTS | 54 |
| B4: CONTROL MODULE COMPONENTS..... | 56 |
| B5: EVAPORATOR PLATE – DEFROST HEATER..... | 58 |
| C1: CABINET REAR & COMPRESSOR COMPARTMENT | 60 |
| SECTION IV | 65 |
| SOFTLINE COMPACT SERIES MODELS F160R & F230R..... | 65 |
| A1: DOOR COMPONENTS FREEZER COMPARTMENT | 66 |
| B1: CABINET FREEZER COMPARTMENT | 68 |
| B2: CABINET ROLLER COMPONENTS | 70 |
| C1: CABINET REAR & COMPRESSOR COMPARTMENT | 72 |

Fisher & Paykel Appliance Ltd
PO Box 58-732, East Tamaki
80 Springs Road, East Tamaki
Auckland,
New Zealand

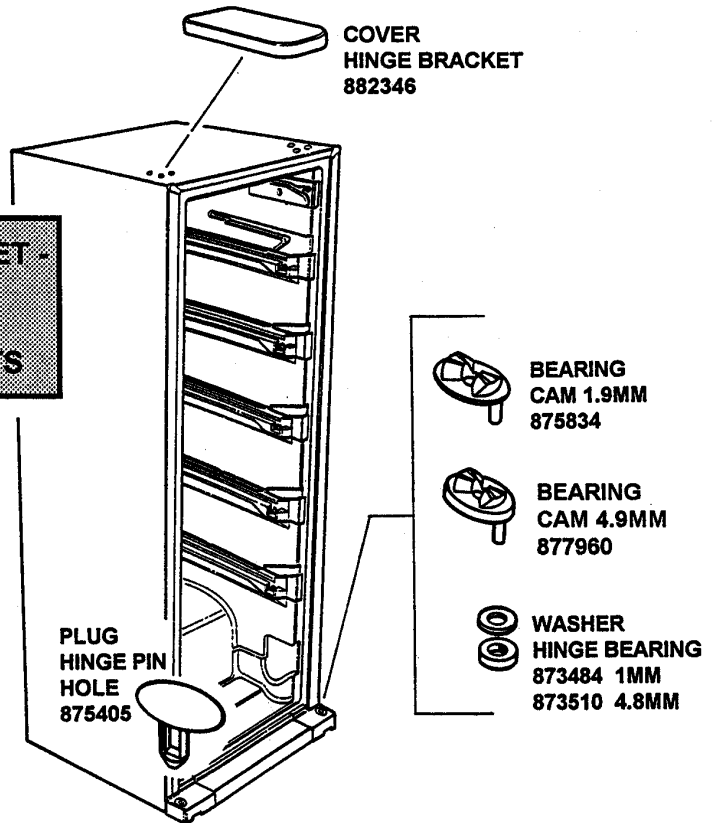
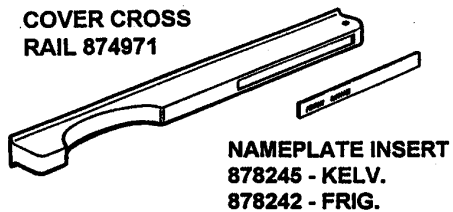
SUPPLEMENTARY PAGE



COMPACT (525) SERIES DOOR ASSEMBLIES

| | DOOR ASSY | MODELS - |
|----|-------------------|---|
| | INTEGRAL R SERIES | (MILANO WHITE) WHITE END CAP - WHITE PANEL |
| PC | 878346 | P120, C120, C170T, C240B (PC) |
| PC | 878347 | P190, C190, C250T (PC) |
| PC | 878348 | C270 (PC) |
| FC | 878349 | C170T, C250T (FC) |
| FC | 878350 | C240B (FC) |
| FC | 878351 | F160 (FC) |
| FC | 878352 | F230 (FC) |

DOOR ASSEMBLY AND CABINET - ILLUSTRATION WITH RELATED WHITE COMPONENTS



SECTION I

SOFTLINE COMPACT SERIES MODEL P120R

SINGLE TEMPERATURE REFRIGERATOR

PUSH BUTTON DEFROST

SOFTLINE COMPACT SERIES SINGLE TEMPERATURE REFRIGERATOR
 KELVINATOR - FRIGIDAIRE
 MODELS P120R

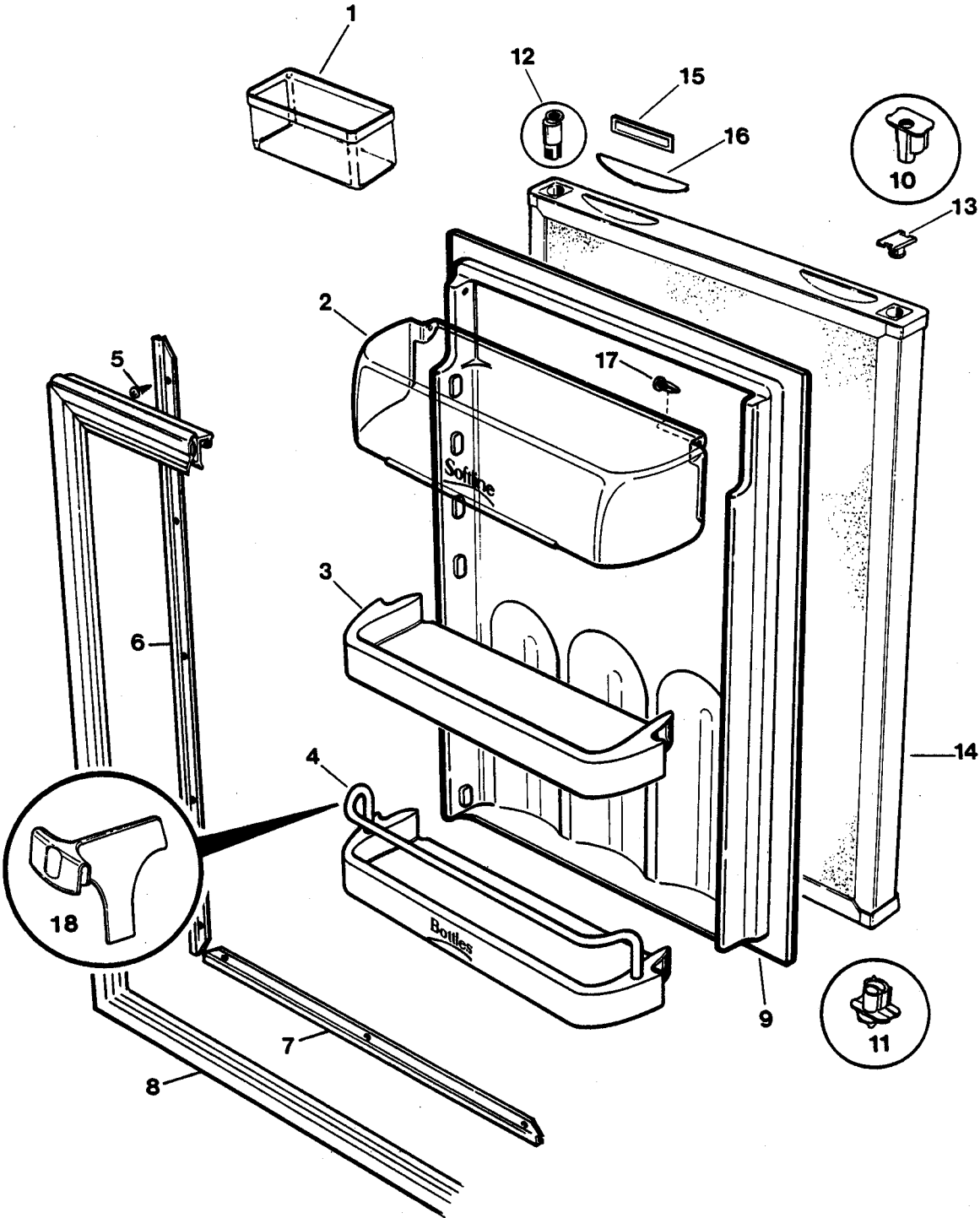
SECTION I:

A.1 DOOR COMPONENTS PROVISION COMPARTMENT

| REF PART NO. | DESCRIPTION |
|--------------|---|
| 1 | 871129 BIN EGG - DIAMOND |
| 2 | 876254 DOOR DAIRY - LIGHT.GREY H-S DARK GREY/GREEN |
| 3 | 874978 SHELF DOOR - LIGHT GREY PLAIN |
| | 874980 SHELF DOOR - LIGHT GREY H-S GREEN |
| | 874977 SHELF DOOR - WHITE PLAIN |
| | 874979 SHELF DOOR - WHITE H-S DK GREY |
| 4 | 876625 RAIL BOTTLE SUPPORT |
| 5 | SP0201P SCREW 8 X 12 SP PAN NIB ST ZNPL |
| 6 | 872326 RETAINER GASKET SIDE |
| 7 | 850473 RETAINER GASKET TOP & BOTTOM |
| | 875740P GASKET AS SY PC - LIGHT GREY |
| • | 872029P GASKET ASSY PC - LT GREY INTEGRAL |
| 9 | 876486 PANEL INNER DOOR |
| 10 | 875924 PLUG PIVOT SELF CLOSING DOOR - LT GREY |
| | 875425 PLUG PIVOT SELF CLOSING DOOR - WHITE |
| 11 | 875129 PLUG CAM SELF CLOSING DOOR - LT GREY |
| | 875128 PLUG CAM SELF CLOSING DOOR - WHITE |
| 12 | 875697 BEARING DOOR END CAP - LIGHT GREY |
| | 875943 BEARING DOOR END CAP - WHITE |
| 13 | 875926 PLUG DOOR END CAP - LIGHT GREY |
| | 882348 PLUG DOOR END CAP - WHITE |
| 14* | 877265 DOOR ASSY PC - WHITE-LIGHT GREY TRIM |
| • | 878353 DOOR AS SY PC - WHITE-LIGHT GREY TRIM INTEGRAL |
| • | 878346 DOOR ASSY PC - WHITE-WHITE TRIM INTEGRAL |

- * NON INTEGRAL DOOR ASSEMBLY INCLUDES ITEMS: 5 - 9,12 - 13 & 16
- INTEGRAL DOOR IS ONLY AVAILABLE AS A COMPLETE ASSEMBLY - WHICH INCLUDES ITEMS 8, 9, 12, 13 & 16. HOWEVER ITEMS 8, 12, 13 & 16 CAN BE ORDERED AS INDIVIDUAL PARTS IF REQUIRED

DOOR COMPONENTS PROVISION COMPARTMENT



SOFTLINE COMPACT SERIES SINGLE TEMPERATURE REFRIGERATOR
KELVINATOR - FRIGIDAIRE
MODELS P120R

SECTION I

A.1 DOOR COMPONENTS PROVISION COMPARTMENT

| REF | PART NO. | DESCRIPTION |
|-----|----------|------------------------------------|
| 15 | 878246 | NAMEPLATE AS SY KELV - LIGHT GREY |
| | 878245 | NAMEPLATE ASSY KELV - WHITE |
| | 878243 | NAMEPLATE ASSY FRIG - LIGHT GREY |
| | 878242 | NAMEPLATE AS SY FRIG - WHITE |
| 16 | 875653 | COVER HANDLE DOOR CAP - LIGHT GREY |
| | 875652 | COVER HANDLE DOOR CAP - WHITE |
| 17 | 871123 | PIN HINGE DAIRY DOOR |
| 18 | 882734 | DIVIDER BOTTLE RAIL - WHITE |
| | 873012 | DIVIDER BOTTLE RAIL - LIGHT GREY |

SOFTLINE COMPACT SERIES SINGLE TEMPERATURE REFRIGERATOR
 KELVINATOR - FRIGIDAIRE
 MODEL P120R

SECTION I

B1: CABINET & PROVISION COMPARTMENT COMPONENTS

| REF | PART NO. | DESCRIPTION |
|-----|----------|---|
| 1 | 875923 | COVER HINGE TOP BRACKET - LIGHT GREY |
| | 882346 | COVER HINGE TOP BRACKET - WHITE |
| 2 | 610312 | SCREW MC M5 X 20 HEX PH MS ZNPL |
| 3 | 882319 | BRACKET HINGE TOP |
| 4 | 882355 | GASKET HINGE TOP |
| 5 | 877316 | TRAY MEAT DIAMOND - H-S DARK GREY |
| 6 | 850749 | TRAY ICE CUBE |
| 7 | 872244 | SHELF PC WHITE 443 X 278MM |
| | 872000* | SHELF PC WHITE 443 X 278MM |
| | 875049* | SHELF PLASTIC 443 X 290MM |
| 8 | 875724 | TRIM SHELF PC - LIGHT GREY |
| 9 | 877194 | DOOR EVAPORATOR - LIGHT GREY |
| 10 | SP0057 | SCREW ST 8 X 25 TAB PAN PH SS |
| NI | 203468 | WASHER 5/32 X 7/16 SS TYPE 304 |
| 11 | 850292 | BRACKET |
| 12 | 850291 | PANEL BACK |
| 13 | 882764 | EVAPORATOR PLATE ASSY INCL S & C LINE R134a |
| 14 | 877648 | PLUG SCREW HOLE - WHITE |
| 15 | 871504 | TRIM CORNER - WHITE |
| 16 | 876309 | PLUG HINGE PIN HOLE - LIGHT GREY |
| | 875405 | PLUG HINGE PIN HOLE - WHITE |
| 17 | 402016 | PIN SKID |
| 18 | 402015 | FOOT SKID PLASTIC |
| 19 | 875699 | WASHER HINGE BEARING LOMM - LT GREY |
| | 873484 | WASHER HINGE BEARING LOMM - WHITE |
| | 875698 | WASHER HINGE BEARING 4.8 MM - LT GREY |
| | 873510 | WASHER HINGE BEARING 4.8 MM - WHITE |
| 20 | 875418 | PIN PIVOT 40MM SS |
| 21 | 877961 | BEARING CAM SELF CLOSING 4.9MM - LT GREY |
| | 877960 | BEARING CAM SELF CLOSING 4.9MM - WHITE |

NOTES:

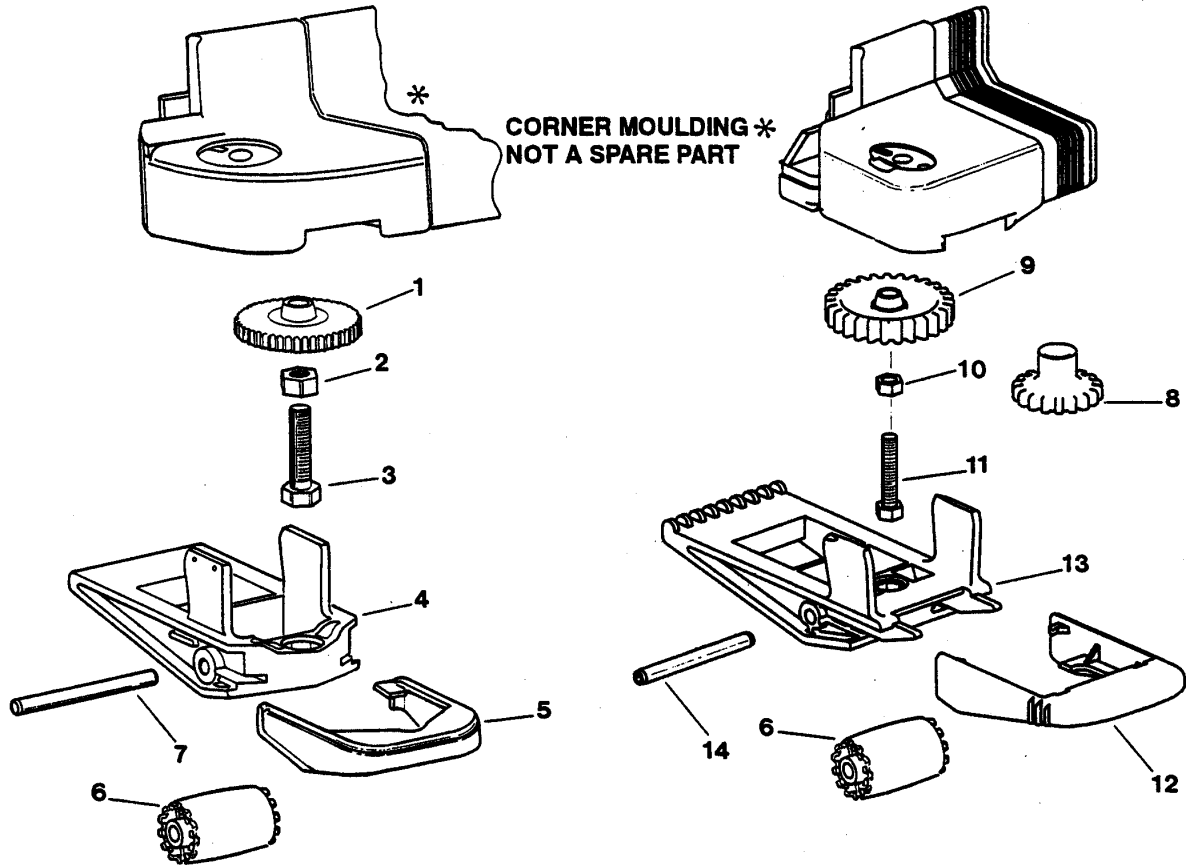
* REFER TECHNICAL BULLETIN-RF001

B2: CABINET ROLLER COMPONENTS

PRE JUNE 1995

FRONT ROLLER ASSEMBLY

POST JUNE 1995



SOFTLINE COMPACT SERIES SINGLE TEMPERATURE REFRIGERATOR
 KELVINATOR - FRIGIDAIRE
 MODEL P120R

SECTION I

B2: CABINET ROLLER COMPONENTS

REF PART NO. DESCRIPTION

FRONT ROLLER ASSY

PRE JUNE 1995

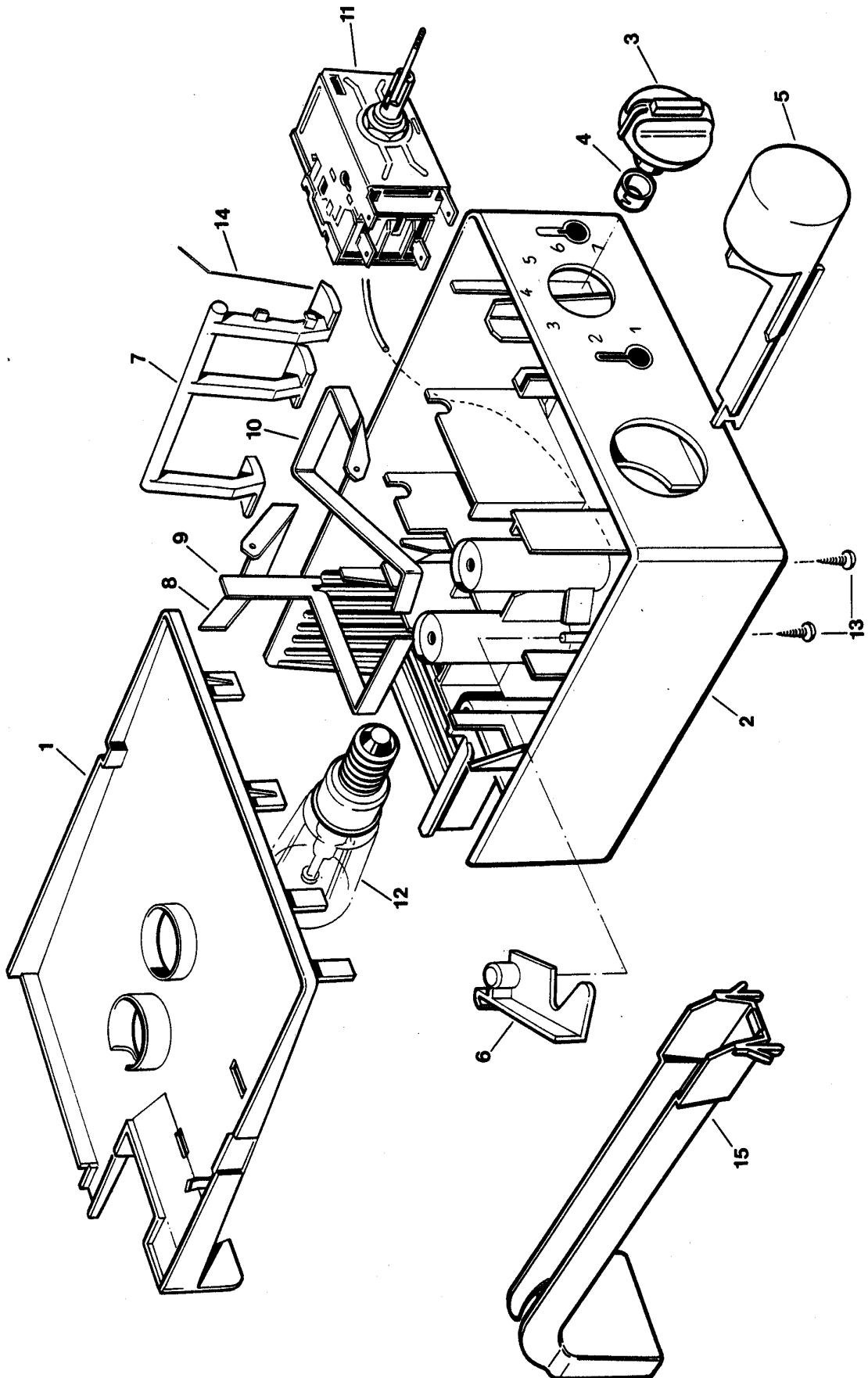
| | | |
|---|---------|---|
| 1 | 876310 | ADJUSTER WHEEL – LT GREY |
| 2 | 900312P | NUT ROLLER M6 X 1.0 ZNPL |
| 3 | 900311 | SET SCREW M6 X 1.0 X 25 ZNPL (Part of Item 4) |
| 4 | 875410 | ROLLER CHASSIS |
| 5 | 875412 | ROLLER LOCK |
| 6 | 875411 | ROLLER WHEEL |
| 7 | 900313 | PIN ROLL |
| | 876637 | ROLLER FRONT ASSEMBLY Includes Items 1-7 |

FRONT ROLLER ASSY

POST JUNE 1995

| | | |
|----|--------|---|
| 8 | 878452 | PINION ROLLER - LT GREY |
| 9 | 878450 | GEAR ROLLER ASSEMBLY |
| 10 | 878457 | NUT M5 X 1 ZNPL |
| 11 | 878456 | SCREW M5 X 25 ZNPL HEX |
| 12 | 878448 | BRAKE ROLLER ASSEMBLY |
| 13 | 878446 | CHASSIS ROLLER ASSEMBLY |
| 14 | 878458 | ROLL PIN 4.5 DIA X 45MM |
| | 502229 | ROLLER FRONT ASSEMBLY Includes Items 6,8-14 |

B3 CONTROL MODULE COMPONENTS



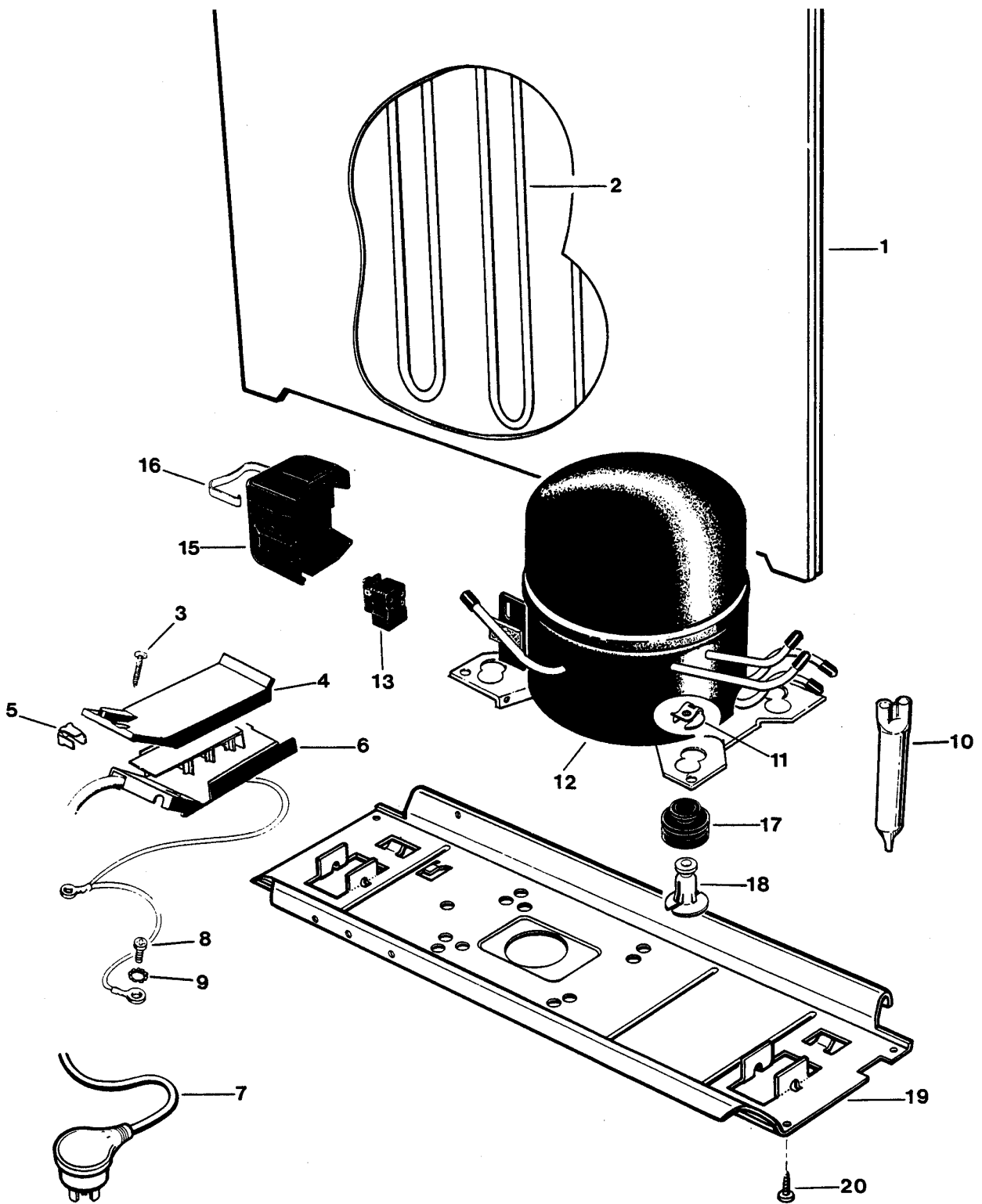
SOFTLINE COMPACT SERIES SINGLE TEMPERATURE REFRIGERATOR
KELVINATOR - FRIGIDAIRE
MODEL P120R

SECTION I

B3: CONTROL MODULE COMPONENTS

| REF | PART NO. | DESCRIPTION |
|-----|----------|---|
| 1 | 876884 | COVER CONTROL BOX |
| 2 | 876897 | BASE CONTROL BOX |
| 3 | 876700 | KNOB ASSY TEMPERATURE CONTROL AND DEFROST PUSH BUTTON - LT.GREY\GREEN INSERT |
| 4 | 874794 | CLIP CONTROL KNOB |
| 5 | 876746 | KNOB LIGHT SWITCH - LIGHT GREY |
| 6 | 876995 | CAM CONTROL |
| 7 | 874892 | DOOR CONTROL |
| 8 | 871302 | TERMINAL NEUTRAL CONTROL BOX |
| 9 | 871032 | TERMINAL SPRING CONTROL BOX |
| 10 | 872470 | TERMINAL PHASE CONTROL BOX |
| 11 | 878564P | CONTROL RANCO K60 P1123 |
| NI | 876904 | HARNESS CONTROL BOX TERM BOX 230V |
| 12 | 871312P | LAMP 230V 15W SES |
| 13 | SP0055 | SCREW ST 8 x 20 TAB PAN PH SS |
| 14 | 871040 | SPRING CONTROL BOX |
| 15 | 876484 | DUCT CONTROL BOX |

C1: CABINET REAR AND COMPRESSOR COMPARTMENT



* Part of compressor

SOFTLINE COMPACT SERIES SINGLE TEMPERATURE REFRIGERATOR
 KELVINATOR - FRIGIDAIRE
 MODEL P120R

SECTION I

C1: CABINET REAR AND COMPRESSOR COMPARTMENT

| REF | PART NO. | DESCRIPTION | |
|-----|----------|-------------------------------------|-------|
| 1 * | 874873 | BACK PANEL ASSY INCL CONDENSER | |
| 2 | | CONDENSER INTERNAL - PART OF ITEM 1 | |
| 3 | SP0006 | SCREW ST 8 X 20 PAN HD ST ZNPL | |
| 4 | 874888 | LID TERMINAL BLOCK | |
| 5 | 874338 | TERMINAL 3 WAY UTILUX H1906 | |
| 6 | 874887 | BASE TERMINAL BLOCK | |
| 7 | 816886 | CABLE MAINS SUPPLY | |
| 8 | 900377 | SCREW ST 8-32 X 9.5 PAN PH HS ZNPL | |
| 9 | SP0351 | WASHER LOCK 5MM EXT ZNPL | |
| 10 | 502068 | FILTER 12 GRAM XH9 | |
| 11 | 850266 | CLIP COMPRESSOR MOUNTING | |
| 12 | 209935P | COMPRESSOR ASSY SB43C90WA | R134a |
| 13 | 209802 | RELAY PTC PTH490C81AS 330M355 | |
| 14 | | OVERLOAD - INTERNAL | |
| 15 | 209788 | COVER PROTECTOR COMPRESSOR | |
| 16 | | NOT USED | |
| 17 | 872467 | GROMMET COMPRESSOR MOUNTING | |
| 18 | 850265 | PIN COMPRESSOR MOUNTING | |
| 19 | 873675 | TRAY COMPRESSOR MOUNTING | |
| NI | 850027 | GROMMET-EVAP S & C LINE | |
| NI | 876908 | DUCT HARNESS 650MM | |
| 20 | 900475 | SCREW ST 8 X 16 NIB PAN PH ZNPL | |

* BACK PANEL ASSY INCLUDES:
 SEALANT FOAM TAPE AND BACK CONDENSER TAPED TO THE BACK PANEL
 WITH ALUMINIUM TAPE.

NOTES

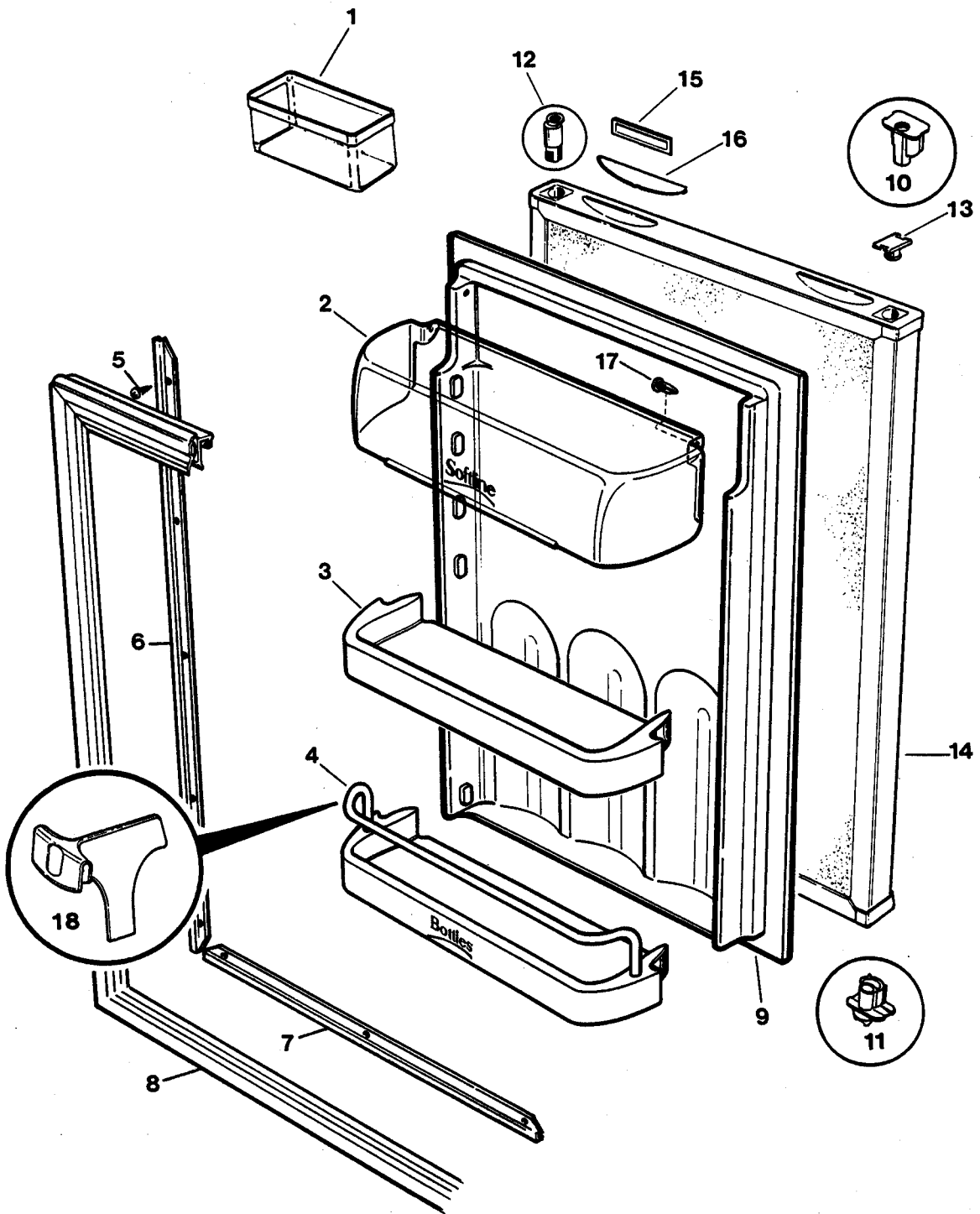
SECTION II

SOFTLINE COMPACT SERIES MODELS C120R, C190R, C270R

SINGLE TEMPERATURE REFRIGERATOR

CYCLIC DEFROST

A1: DOOR COMPONENTS PROVISION COMPARTMENT



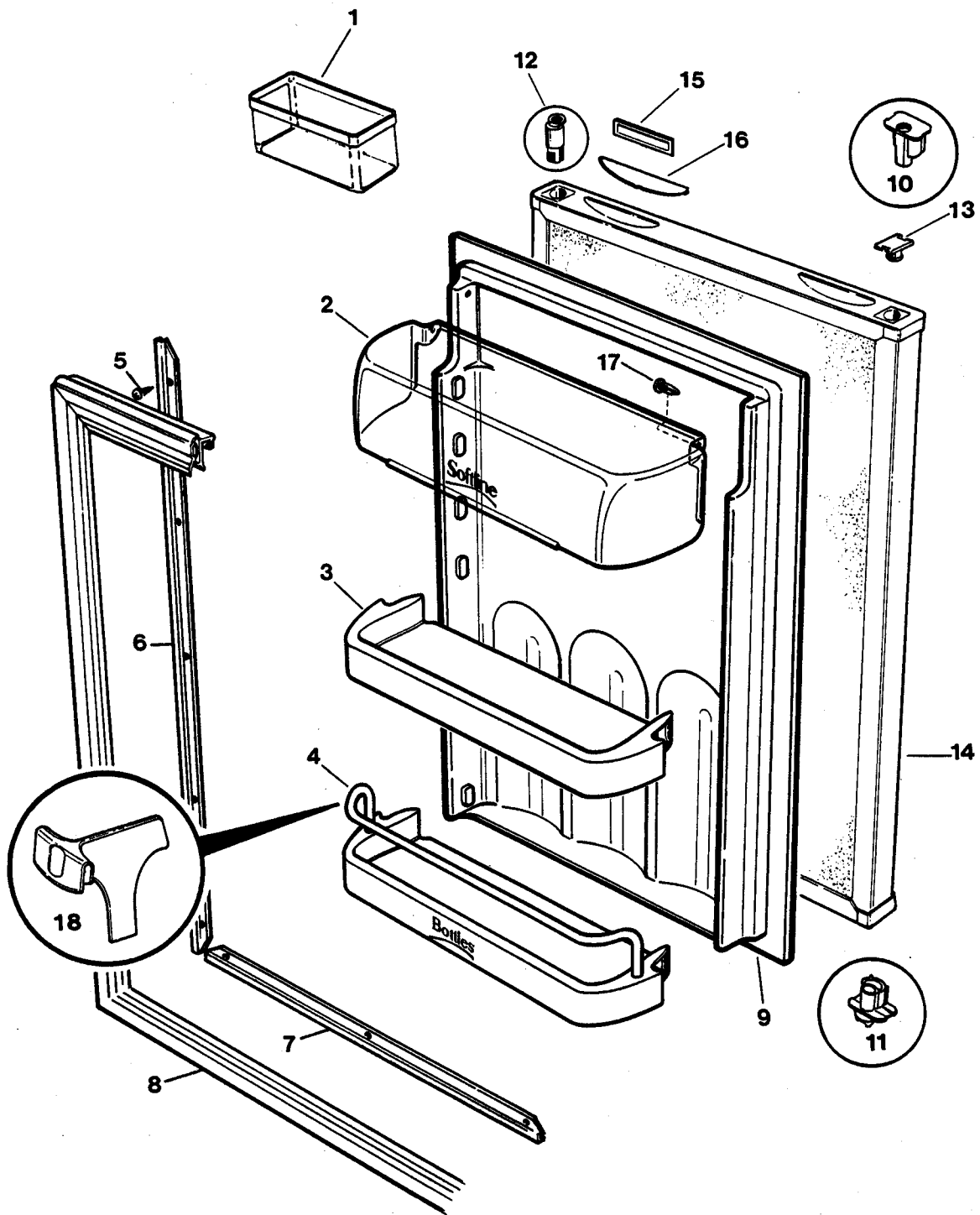
SOFTLINE COMPACT SERIES SINGLE TEMPERATURE REFRIGERATOR
 KELVINATOR - FRIGIDAIRE
 MODELS C120R, C190R & C270R

SECTION II

A1: DOOR COMPONENTS PROVISION COMPARTMENT

| REF | PART NO. | DESCRIPTION | |
|-----|----------|---|------|
| 1 | 871129 | BIN EGG - DIAMOND | |
| 2 | 876254 | DOOR DAIRY - LIGHT GREY H-S DARK GREY/GREEN | |
| 3 | 874978 | SHELF DOOR - LIGHT GREY PLAIN | |
| | 874980 | SHELF DOOR - LIGHT GREY H-S GREEN | |
| | 874977 | SHELF DOOR - WHITE PLAIN | |
| | 874979 | SHELF DOOR - WHITE H-S DK GREY | |
| 4 | 876625 | RAIL BOTTLE SUPPORT | |
| 5 | SP0201P | SCREW 8 X 12 SP PAN NIB ST ZNPL | |
| | 872326 | RETAINER GASKET SIDE | C120 |
| | 872329 | RETAINER GASKET SIDE | C190 |
| | 857472 | RETAINER GASKET SIDE | C270 |
| | 850473 | RETAINER GASKET TOP & BOTTOM | |
| | 875740P | GASKET ASSY PC - LIGHT GREY PACKED | C120 |
| | 872029P | GASKET ASSY PC - LT GREY PACKED INTEGRAL | C120 |
| | 875743P | GASKET AS SY PC - LIGHT GREY PACKED | C270 |
| | 872027P | GASKET ASSY PC - LT GREY PACKED INTEGRAL | C270 |
| | 875741P | GASKET ASSY PC - LIGHT GREY PACKED | C190 |
| | 872028P | GASKET ASSY PC - LT GREY PACKED INTEGRAL | C190 |
| | 876486 | PANEL INNER DOOR | C120 |
| | 876485 | PANEL INNER DOOR | C190 |
| | 876488 | PANEL INNER DOOR | C270 |
| 10 | 875924 | PLUG PIVOT SELF CLOSING CAM DOOR - LT GREY | |
| | 875425 | PLUG PIVOT SELF CLOSING CAM DOOR - WHITE | |
| 11 | 875129 | PLUG CAM SELF CLOSING DOOR - LT GREY | |
| | 875128 | PLUG CAM SELF CLOSING DOOR - WHITE | |
| 12 | 875697 | BEARING DOOR ENDCAP - LIGHT GREY | |
| | 875943 | BEARING DOOR ENDCAP - WHITE | |
| 13 | 875926 | PLUG DOOR ENDCAP - LIGHT GREY | |
| | 882348 | PLUG DOOR ENDCAP - WHITE | |

A1: DOOR COMPONENTS PROVISION COMPARTMENT



SOFTLINE COMPACT SERIES SINGLE TEMPERATURE REFRIGERATOR
 KELVINATOR - FRIGIDAIRE
 MODELS C120R, C190R & C270R

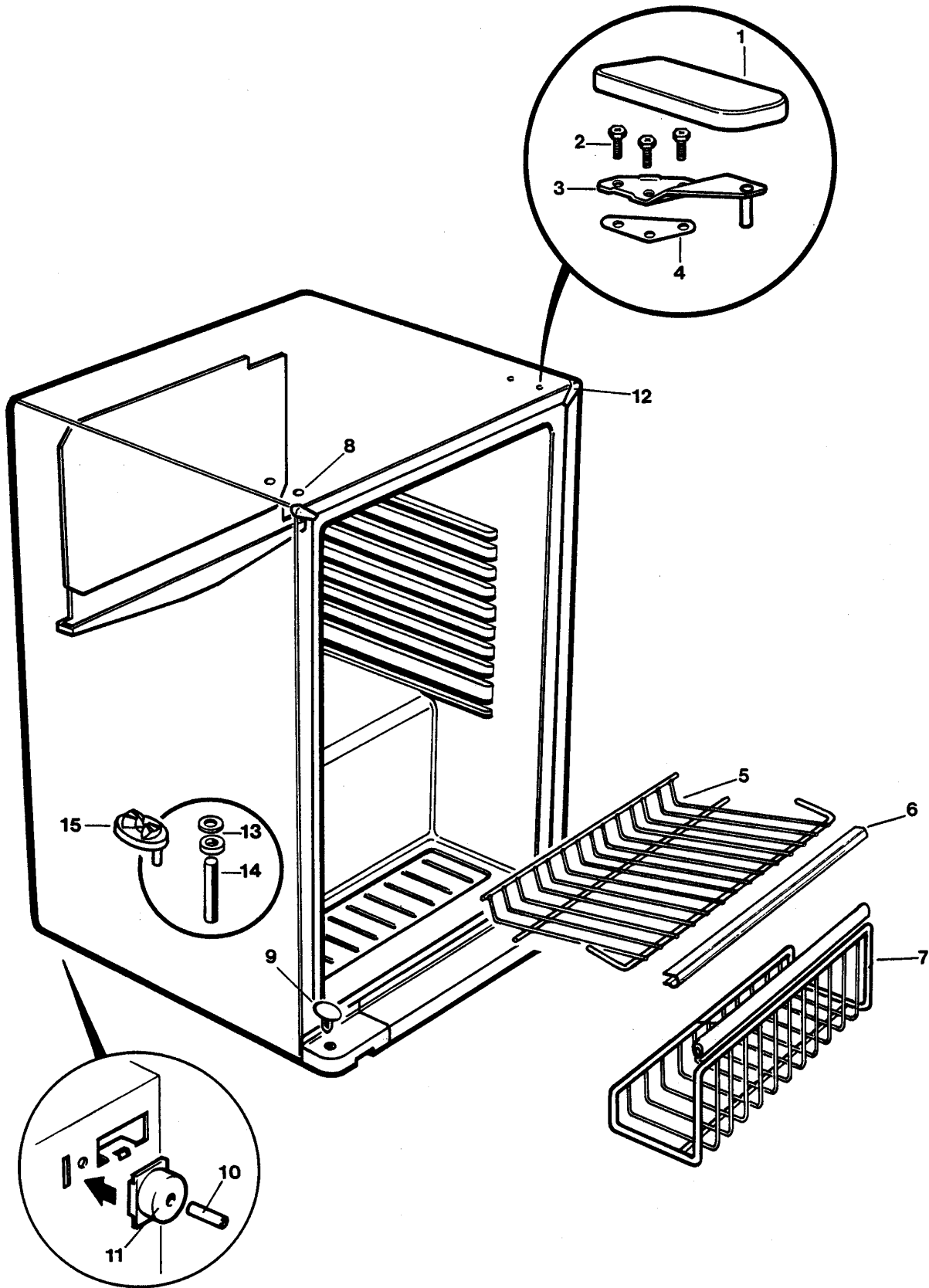
SECTION II

A1: DOOR COMPONENTS PROVISION COMPARTMENT

| REF | PART NO. | DESCRIPTION | |
|-----|----------|--|------|
| 14* | 877265 | DOOR ASSY PC - WHITE-LT.GREY TRIM | C120 |
| • | 878353 | DOOR AS SY PC - WHITE-LT. GREY TRIM INTEGRAL | C120 |
| • | 878346 | DOOR ASSY PC - WHITE-WHITE TRIM INTEGRAL | C120 |
| | 877266 | DOOR ASSY PC - WHITE-LT.GREY TRIM | C190 |
| | 878354 | DOOR ASSY PC - WHITE-LT.GREY TRIM INTEGRAL | C190 |
| | 878347 | DOOR ASSY PC - WHITE-WHITE TRIM INTEGRAL | C190 |
| * | 877267 | DOOR ASSY PC - WHITE-LT.GREY TRIM | C270 |
| • | 878355 | DOOR ASSY PC - WHITE-LT.GREY TRIM INTEGRAL | C270 |
| • | 878348 | DOOR AS SY PC - WHITE-WHITE TRIM INTEGRAL | C270 |
| 15 | 878245 | NAMEPLATE ASSY KELV - LIGHT GREY | |
| | 878245 | NAMEPLATE ASSY KELV - WHITE | |
| | 878243 | NAMEPLATE ASSY FRIG - LIGHT GREY | |
| | 878242 | NAMEPLATE ASSY FRIG - WHITE | |
| 16 | 875653 | COVER HANDLE DOOR CAP - LIGHT GREY | |
| | 875652 | COVER HANDLE DOOR CAP - WHITE | |
| 17 | 871123 | PIN HINGE DAIRY DOOR | |
| 18 | 882734 | DIVIDER BOTTLE RAIL - WHITE | |
| | 873012 | DIVIDER BOTTLE RAIL - LIGHT GREY | |

- * NON INTEGRAL DOOR ASSEMBLY INCLUDES ITEMS 5 - 9,12 - 13 & 16
- INTEGRAL DOOR IS ONLY AVAILABLE AS A COMPLETE ASSEMBLY INCLUDES ITEMS 8 - 9, - 12 - 13 & 16. HOWEVER ITEMS 8, 12, 13, & 16 CAN BE OBTAINED AS INDIVIDUAL PARTS IF REQUIRED.

B1: CABINET AND PROVISION COMPARTMENT COMPONENTS



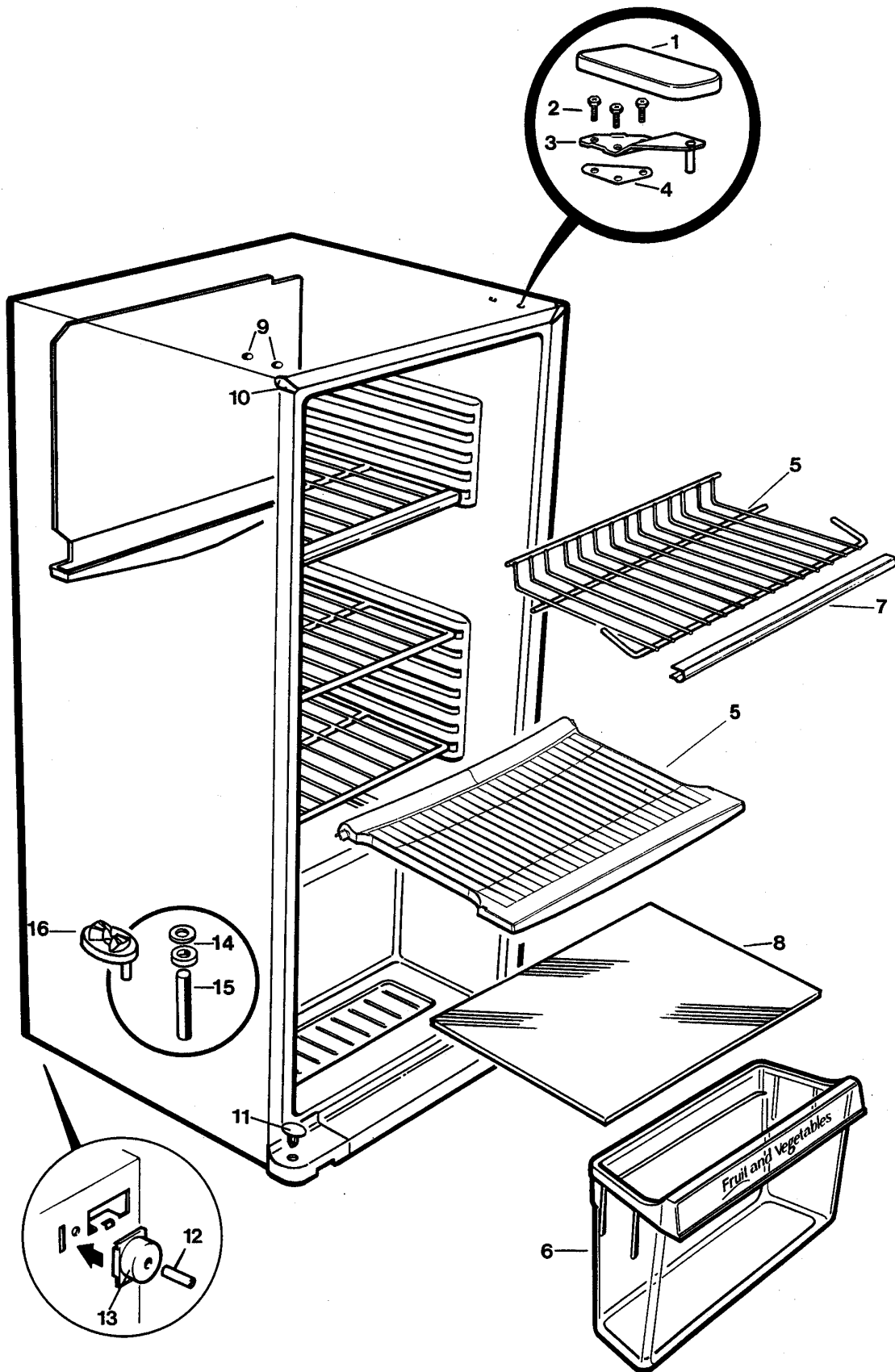
SOFTLINE COMPACT SERIES SINGLE TEMPERATURE REFRIGERATOR
 KELVINATOR - FRIGIDAIRE
 MODEL C120R

SECTION II

B1: CABINET AND PROVISION COMPARTMENT COMPONENTS

| REF | PART NO. | DESCRIPTION |
|-----|----------|--|
| 1 | 875923 | COVER HINGE TOP BRACKET - LIGHT GREY |
| | 882346 | COVER HINGE TOP BRACKET - WHITE |
| 2 | 610312 | SCREW MC M5 X 20 HEX PH MS ZNPL |
| 3 | 882319 | BRACKET HINGE TOP |
| 4 | 882355 | GASKET HINGE TOP |
| 5 | 872244 | SHELF PC |
| 6 | 875724 | TRIM SHELF PC - LIGHT GREY |
| 7 | 872132 | BASKET FRUIT |
| 8 | 877648 | PLUG SCREW HOLE - WHITE |
| | 876309 | PLUG HINGE PIN HOLE - LIGHT GREY |
| | 875405 | PLUG HINGE PIN HOLE - WHITE |
| 10 | 402016 | PIN SKID |
| 11 | 402015 | FOOT SKID PLASTIC |
| 12 | 871504 | TRIM CORNER - WHITE |
| 13 | 875699 | WASHER HINGE BEARING LOMM - LT GREY |
| | 873484 | WASHER HINGE BEARING LOMM - WHITE |
| | 875698 | WASHER HINGE BEARING 4.8MM - LT GREY |
| | 873510 | WASHER HINGE BEARING 4.8MM - WHITE |
| 14 | 875418 | PIN PIVOT 40MM |
| 15 | 877961 | BEARING CAM SELF CLOSING 4.9MM - LT GREY |
| | 877960 | BEARING CAM SELF CLOSING 4.9MM - WHITE |

B2: CABINET AND PROVISION COMPARTMENT COMPONENTS



SOFTLINE COMPACT SERIES SINGLE TEMPERATURE REFRIGERATOR
KELVINATOR - FRIGIDAIRE
MODELS C190R & C270R

SECTION II

B2: CABINET AND PROVISION COMPARTMENT COMPONENTS

| REF | PART NO. | DESCRIPTION |
|-----|----------|---|
| 1 | 875923 | COVER HINGE TOP BRACKET - LIGHT GREY |
| | 882346 | COVER HINGE TOP BRACKET - WHITE |
| 2 | 610312 | SCREW MC M5 X 20 HEX PH MS ZNPL |
| 3 | 882319 | BRACKET HINGE TOP |
| 4 | 882355 | GASKET HINGE TOP |
| 5 | 872244 | SHELF PC WHITE 443 X 278MM |
| | 872000* | SHELF PC WHITE 443 X 278MM |
| | 875049* | SHELF PLASTIC 443 X 290MM |
| 6 | 876758 | BIN CRISPER - DIAMOND H-S DARK GREY |
| 7 | 875724 | TRIM PC SHELF - LIGHT GREY |
| 8 | 854900 | SHELF GLASS 440 X 300MM |
| 9 | 877648 | PLUG SCREW HOLE - WHITE |
| 10 | 871504 | TRIM CORNER - WHITE |
| 11 | 876309 | PLUG HINGE PIN HOLE - LIGHT GREY |
| | 875405 | PLUG HINGE PIN HOLE - WHITE |
| 12 | 402016 | PIN SKID |
| 13 | 402015 | SKID |
| 14 | 875699 | WASHER HINGE BEARING LOMM - LT GREY |
| | 873484 | WASHER HINGE BEARING LOMM - WHITE |
| | 875698 | WASHER HINGE BEARING 4.8MM - LT GREY |
| | 873510 | WASHER HINGE BEARING 4.8MM - WHITE |
| 15 | 875418 | PIN PIVOT 40MM SS |
| 16 | 878271 | BEARING CAM SELF CLOSING 1.9MM - LT GREY C270 |
| | 875834 | BEARING CAM SELF CLOSING 1.9MM - WHITE |
| | 877961 | BEARING CAM SELF CLOSING 4.9MM - LT GREY C190 |
| | 877960 | BEARING CAM SELF CLOSING 4.9MM - WHITE |

NOTES:

* REFER TECHNICAL BULLETIN-RF001

ITEMS NOT ILLUSTRATED

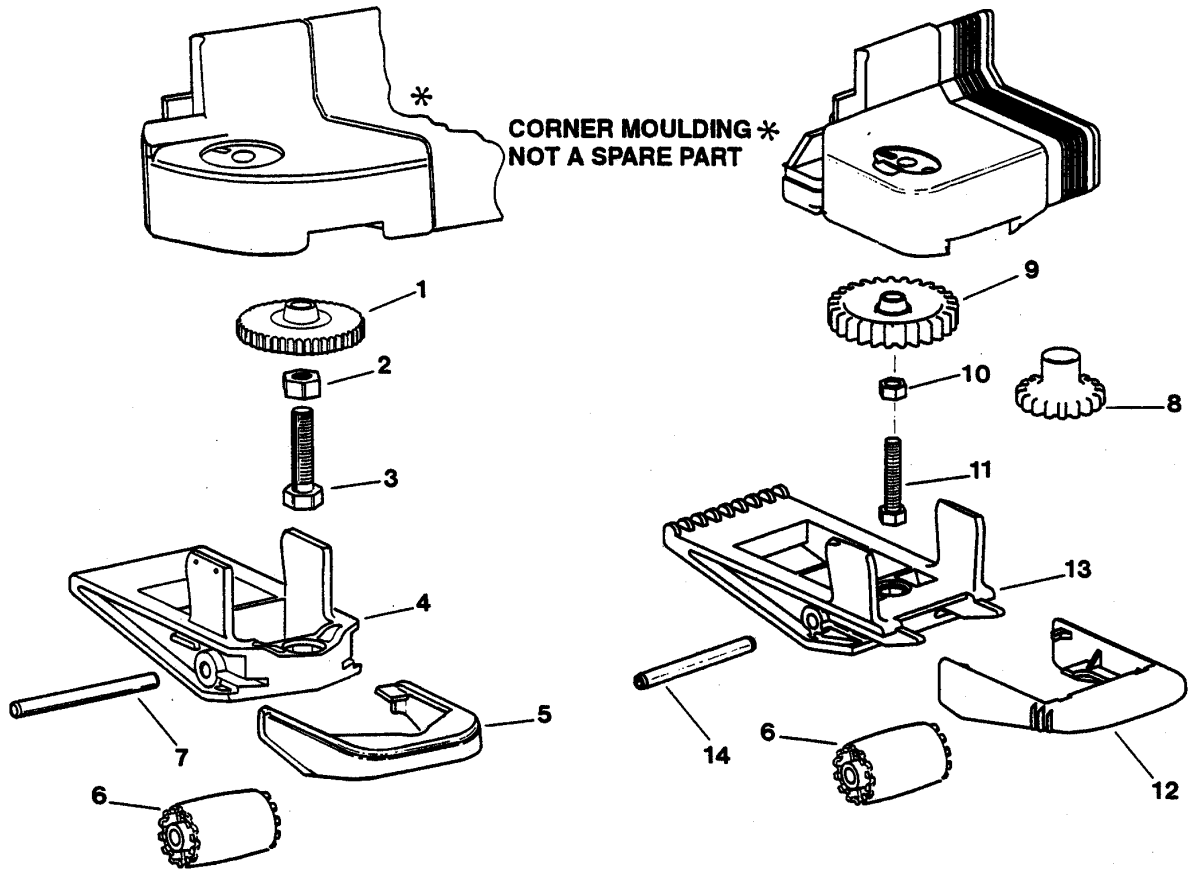
| | |
|--------|---------------------------|
| 878428 | LEAFLET WARRANTY F&P |
| 874546 | BOOKLET USE & CARE REFRIG |

B3: CABINET ROLLER COMPONENTS

PRE JUNE 1995

FRONT ROLLER ASSEMBLY

POST JUNE 1995



SOFTLINE COMPACT SERIES SINGLE TEMPERATURE REFRIGERATOR
 KELVINATOR - FRIGIDAIRE
 MODELS C120R, C190R & C270R

SECTION II

B3: CABINET ROLLER COMPONENTS

REF PART NO. DESCRIPTION

FRONT ROLLER ASSY

PRE JUNE 1995

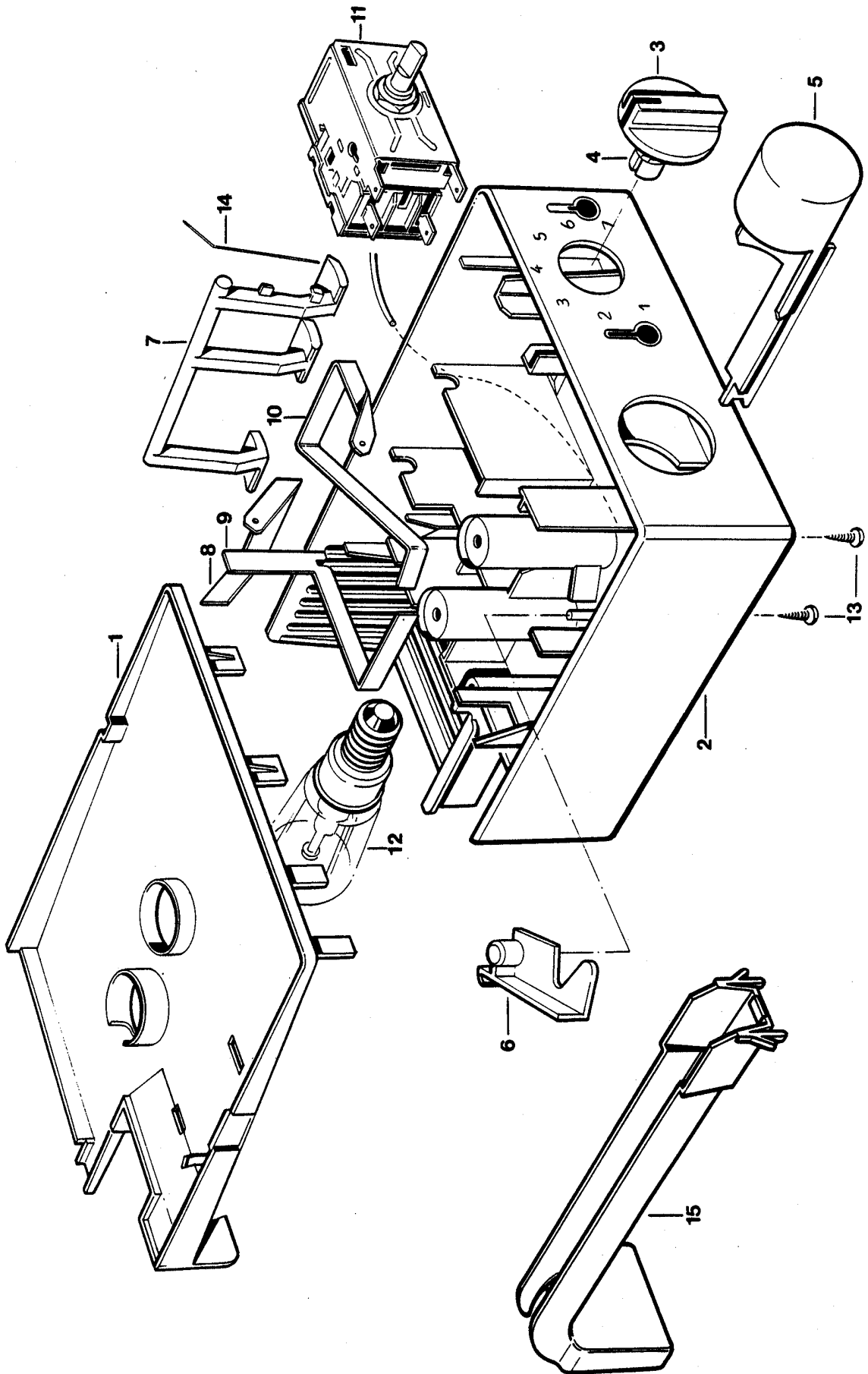
| | | |
|---|---------|---|
| 1 | 876310 | ADJUSTER WHEEL – LT GREY |
| 2 | 900312P | NUT ROLLER M6 X 1.0 ZNPL |
| 3 | 900311 | SET SCREW M6 X 1.0 X 25 ZNPL (Part of Item 4) |
| 4 | 875410 | ROLLER CHASSIS |
| 5 | 875412 | ROLLER LOCK |
| 6 | 875411 | ROLLER WHEEL |
| 7 | 900313 | PIN ROLL |
| | 876637 | ROLLER FRONT ASSEMBLY Includes Items 1-7 |

FRONT ROLLER ASSY

POST JUNE 1995

| | | |
|----|--------|---|
| | 878452 | PINION ROLLER - LT GREY |
| 9 | 878450 | GEAR ROLLER ASSEMBLY |
| 10 | 878457 | NUT M5 X 1 ZNPL |
| 11 | 878456 | SCREW M5 X 25 ZNPL HEX |
| 12 | 878448 | BRAKE ROLLER ASSEMBLY |
| 13 | 878446 | CHASSIS ROLLER ASSEMBLY |
| 14 | 878458 | ROLL PIN 4.5 DIA X 45MM |
| | 502229 | ROLLER FRONT ASSEMBLY Includes Items 6,8-14 |

B4: CONTROL MODULE COMPONENTS



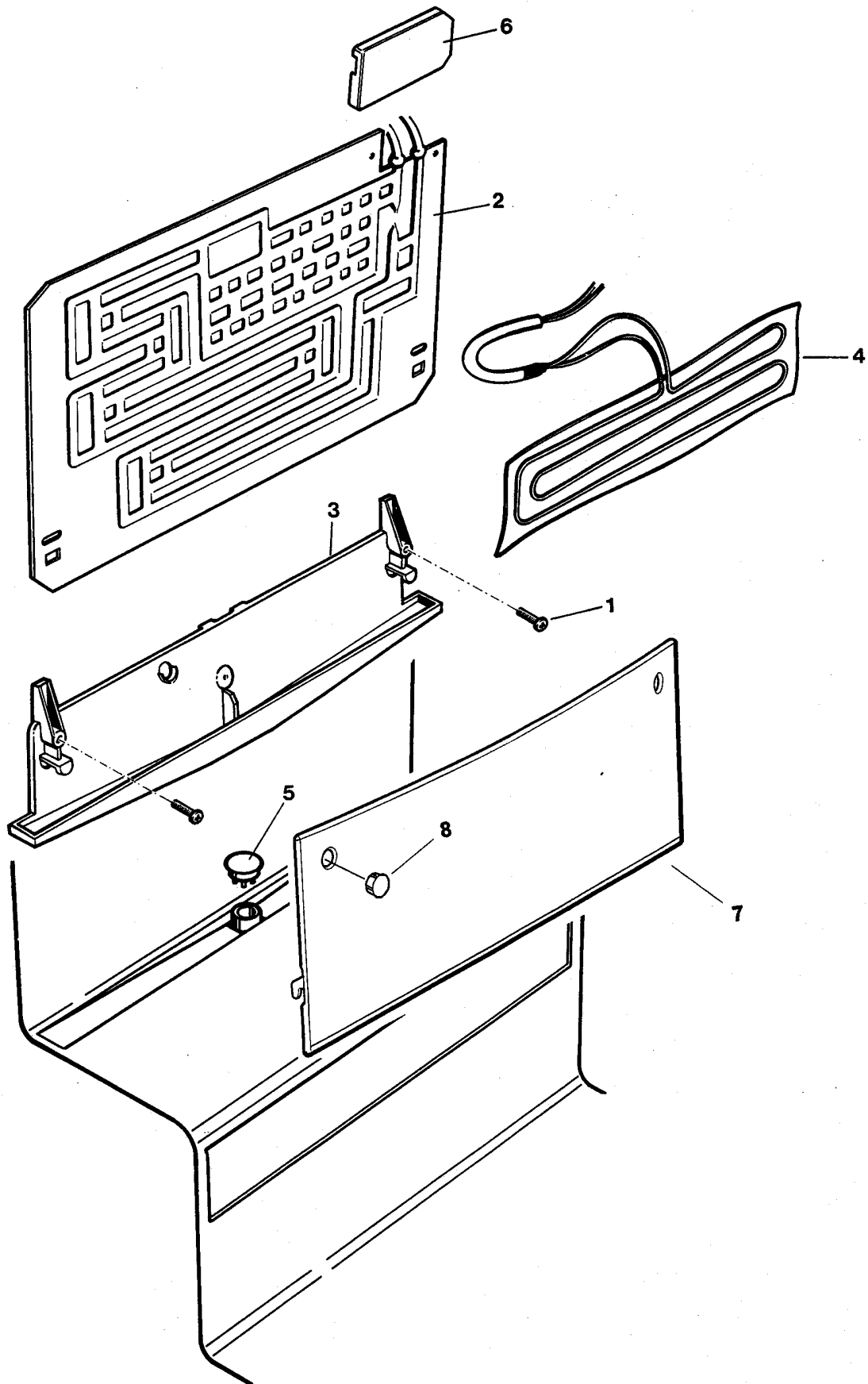
SOFTLINE COMPACT SERIES SINGLE TEMPERATURE REFRIGERATOR
 KELVINATOR - FRIGIDAIRE
 MODELS C120R, C190R & C270R

SECTION II

B4: CONTROL MODULE COMPONENTS

| REF | PART NO. | DESCRIPTION |
|-----|----------|--|
| 1 | 876884 | COVER CONTROL BOX |
| 2 | 876897 | BASE CONTROL BOX - H-S DARK GREY |
| 3 | 876632 | KNOB CONTROL AS SY - LT. GREY + GREEN INSERT |
| 4 | 874794 | CLIP CONTROL KNOB |
| 5 | 876746 | KNOB LIGHT SWITCH - LIGHT GREY |
| 6 | 876995 | CAM CONTROL |
| 7 | 874892 | DOOR CONTROL |
| 8 | 871302 | TERMINAL NEUTRAL CONTROL BOX |
| 9 | 871032 | TERMINAL SPRING CONTROL BOX |
| 10 | 872470 | TERMINAL PHASE CONTROL BOX |
| NI | 876904 | HARNESS CONTROL BOX TERM BOX 230V |
| 11 | 878563P | CONTROL RANCO K59 P6827 C120 |
| | 878360P | CONTROL RANCO K59 P6821 C190,C270 |
| 12 | 871312P | LAMP 230V 15W SES |
| 13 | SP0055 | SCREW ST 8 x 20 TAB PAN PH SS |
| 14 | 871040 | SPRING CONTROL BOX |
| 15 | 876484 | DUCT CONTROL BOX |

B5: EVAPORATOR PLATE – DEFROST HEATER



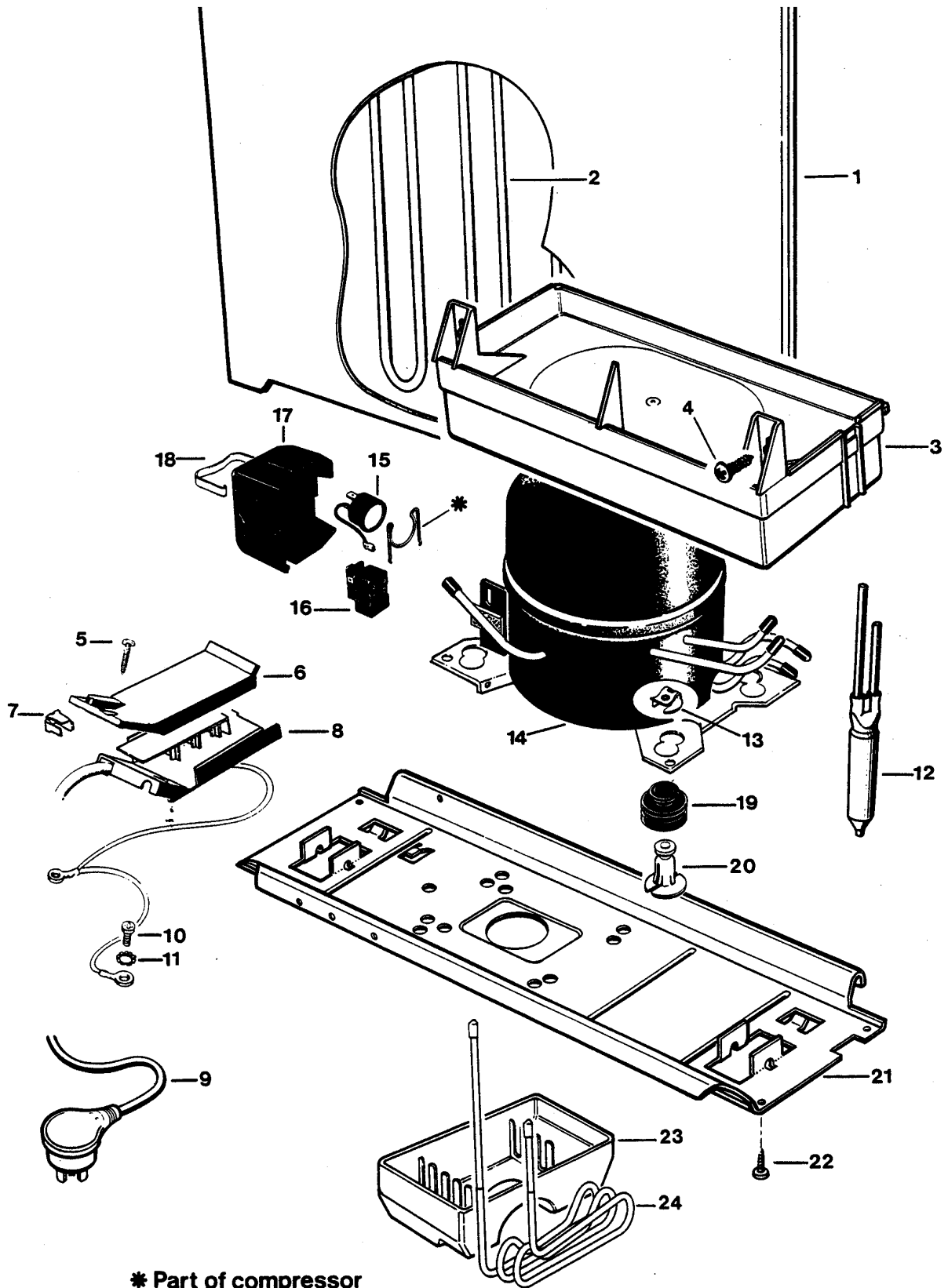
SOFTLINE COMPACT SERIES SINGLE TEMPERATURE REFRIGERATOR
KELVINATOR - FRIGIDAIRE
MODELS C120R, C190R & C270R

SECTION II

B5: EVAPORATOR PLATE – DEFROST HEATER

| REF | PART NO | DESCRIPTION | |
|-----|---------|--------------------------------------|------|
| 1 | SP0059 | SCREW ST 8 X 40 TAB PAN PH SS | |
| 2 | 878278 | EVAPORATOR PLATE ASSY (TOP SENSING) | C120 |
| | 878276 | RETAINER PHIAL TUBE PAINTED | C120 |
| | 875024 | EVAPORATOR PLATE ASSY (double entry) | C190 |
| | 875024 | EVAPORATOR PLATE ASSY (double entry) | C270 |
| 3 | 876732 | PLATE HEATER | |
| 4 | 877319 | HEATER DEFROST 230V | |
| 5 | 851800 | DRAIN COVER | |
| 6 | 851302 | COVER EVAPORATOR PLATE | |
| 7 | 875050 | DEFLECTOR AIR FLOW | |
| 8 | 855156 | PLUG COVER 10MM WHITE | |

C1: CABINET REAR & COMPRESSOR COMPARTMENT



SOFTLINE COMPACT SERIES SINGLE TEMPERATURE REFRIGERATOR
 KELVINATOR - FRIGIDAIRE
 MODELS C120R, C190R & C270R

SECTION II

C1: CABINET REAR & COMPRESSOR COMPARTMENT

| REF | PART NO. | DESCRIPTION | |
|-----|----------|---|-------|
| 1 * | 877625 | BACK PANEL AS SY INCL CONDENSER | C120 |
| | 874875 | BACK PANEL ASSY INCL CONDENSER | C190 |
| | 874877 | BACK PANEL ASSY INCL CONDENSER | C270 |
| 2 | | CONDENSER INTERNAL - PART OF ITEM 1 | |
| 3 | 876653 | TRAY WATER EVAPORATOR NOTCHED | |
| 4 | SP0201P | SCREW ST 8 X 12 SP PAN NIB HS ZNPL | |
| 5 | SP0006 | SCREW ST 8 X 20 PAN HD ST ZNPL | |
| 6 | 874888 | LID TERMINAL BLOCK | |
| 7 | 874338 | TERMINAL 3 WAY UTILUX H1906 | |
| 8 | 874887 | BASE TERMINAL BLOCK | |
| 9 | 816886 | CABLE MAINS SUPPLY | |
| 10 | 900377 | SCREW ST 8-32 X 9.5 PAN PH HS ZNPL | |
| 11 | SP0351 | WASHERLOCK 5MM EXT ZNPL | |
| 12 | 502068 | FILTER 12 GRAM XH9 | |
| 13 | 850266 | CLIP COMPRESSOR MOUNTING | |
| 14 | 209935P | COMPRESSOR ASSY SB43C90WA | R134a |
| 15 | | OVERLOAD - INTERNAL | |
| 16 | 209802 | RELAY (PTC) | |
| 17 | 209788 | COVER PROTECTOR COMPRESSOR | |
| 18 | | NOT USED | |
| 19 | 872467 | GROMMET COMPRESSOR MOUNTING | |
| 20 | 850265 | PIN COMPRESSOR MOUNTING | |
| 21 | 873675 | TRAY COMPRESSOR MOUNTING | |
| 22 | 900475 | SCREW ST 8 x 16 NIB PAN PH ZNPL | |
| 23 | 874826 | TRAY WATER OVERFLOW & <u>SHEATHED</u> HEATER TUBE | C270 |
| 24 | 872345 | TUBE HEATER <u>SHEATHED</u> | C270 |
| NI | 850027 | GROMMET-EVAP S & C LINE | |
| | 876908 | DUCT HARNESS 650MM | C120 |

* BACK PANEL ASSY INCLUDES:
 SEALANT FOAM TAPE AND BACK CONDENSER TAPED TO THE BACK PANEL
 WITH ALUMINIUM TAPE.

NOTES

SECTION III

SOFTLINE COMPACT SERIES

MODELS C170TR & C250TR & C240BR

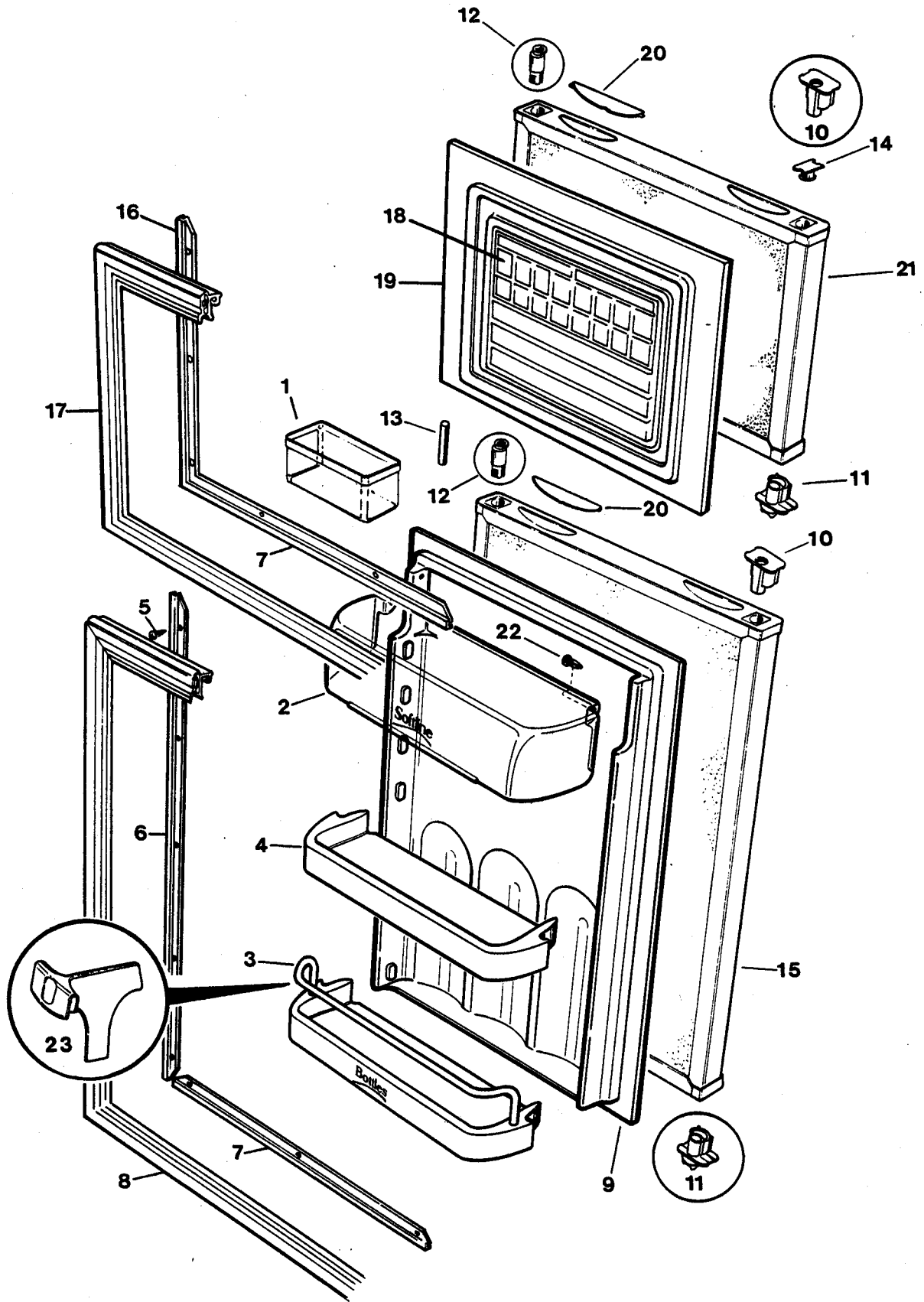
DUAL TEMPERATURE REFRIGERATORS

CYCLIC DEFROST

TOP FREEZER COMPARTMENT: C170TR & C250TR

BOTTOM FREEZER COMPARTMENT: C240BR

A1: DOOR COMPONENTS PROVISION AND FREEZER COMPARTMENT



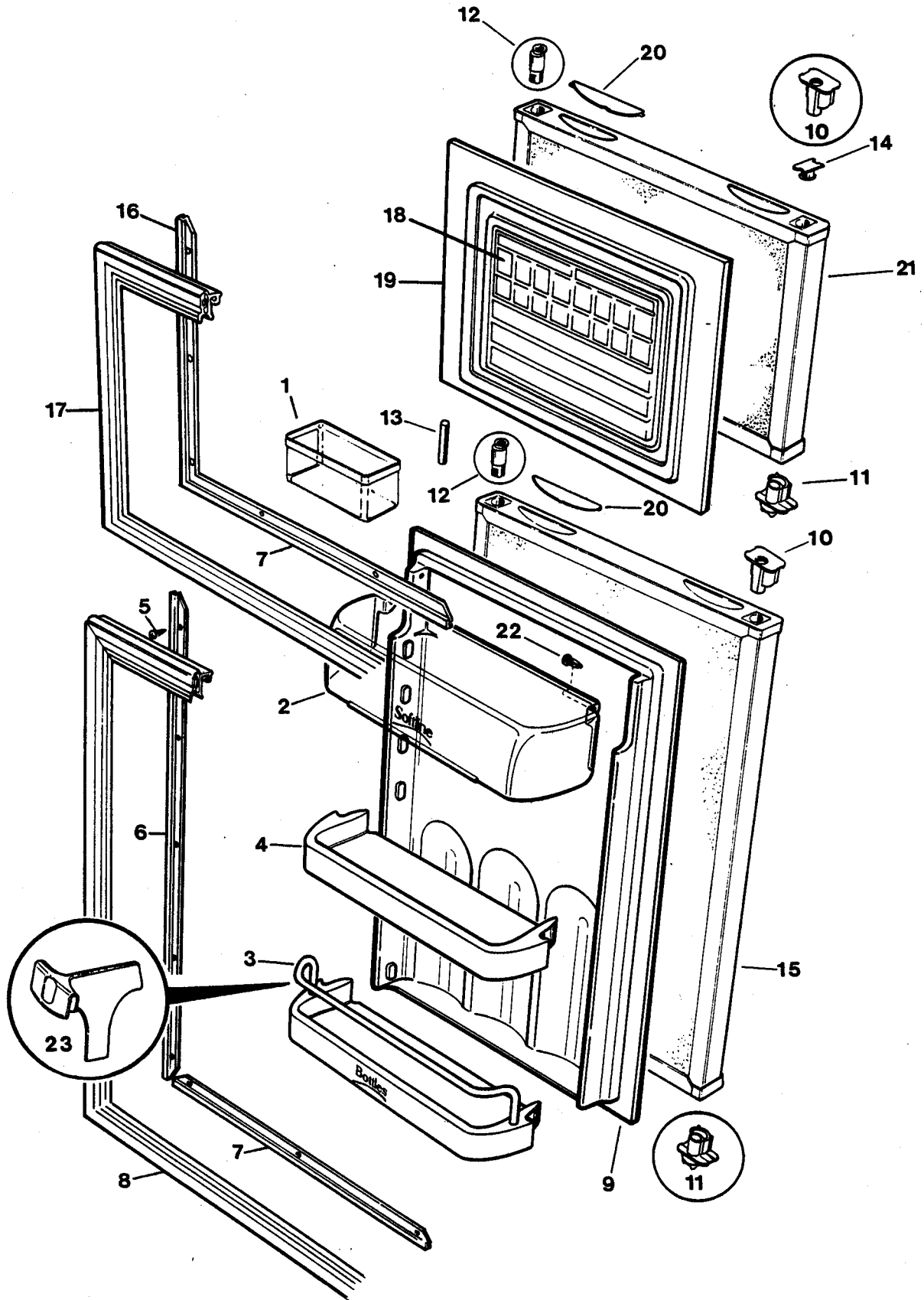
SOFTLINE COMPACT SERIES DUAL TEMPERATURE REFRIGERATOR
MODELS C170TR & C250TR

SECTION III

A1: DOOR COMPONENTS PROVISION AND FREEZER COMPARTMENT

| REF | PART NO. | DESCRIPTION | |
|-----|----------|--|--------|
| 1 | 871129 | BIN EGG - DIAMOND | |
| 2 | 876254 | DOOR DAIRY - LIGHT GREY H-S DARK GREY/GREEN | |
| 3 | 876625 | RAIL BOTTLE SUPPORT | |
| | 874978 | SHELF DOOR - LIGHT GREY PLAIN | |
| | 874980 | SHELF DOOR - LIGHT GREY H-S GREEN | |
| | 874977 | SHELF DOOR - WHITE PLAIN | |
| | 874979 | SHELF DOOR - WHITE H-S DK GREY | |
| | SP0201P | SCREW 8 X 12 SP PAN NIB ST ZNPL | |
| | 872326 | RETAINER GASKET SIDE | C 170T |
| | 872329 | RETAINER GASKET SIDE | C250T |
| | 850473 | RETAINER GASKET END | |
| | 875740P | GASKET AS SY PC - LT GREY PACKED | C170T |
| • | 872029P | GASKET AS SY PC - LT GREY PACKED INTEGRAL | C170T |
| | 875741P | GASKET ASSY PC - LT GREY PACKED | C250T |
| • | 872028P | GASKET AS SY PC - LT GREY PACKED INTEGRAL | C250T |
| | 876486 | PANEL INNER DOOR PC | C 170T |
| | 876485 | PANEL INNER DOOR PC | C250T |
| 10 | 875924 | PLUG PIVOT SELF CLOSING DOOR - LT GREY | |
| | 875425 | PLUG PIVOT SELF CLOSING DOOR - WHITE | |
| 11 | 875129 | PLUG CAM SELF CLOSING DOOR - LT GREY | |
| | 875128 | PLUG CAM SELF CLOSING DOOR - WHITE | |
| 12 | 875697 | BEARING DOOR END CAP - LIGHT GREY | |
| | 875943 | BEARING DOOR END CAP - WHITE | |
| 13 | 871880 | PIN CENTRE HINGE 71MM SS | |
| 14 | 875694 | PLUG DOOR END CAP - LIGHT GREY | |
| | 882348 | PLUG DOOR END CAP - WHITE | |
| 15* | 877265 | DOOR ASSY PC - WHITE-LIGHT GREY TRIM | C 170T |
| • | 878353 | DOOR AS SY PC - WHITE-LIGHT GREY TRIM INTEGRAL | C170T |
| • | 878346 | DOOR ASSY PC - WHITE-WHITE TRIM INTEGRAL | C170T |
| | 877266 | DOOR ASSY PC - WHITE-LIGHT GREY TRIM | C250T |
| | 878354 | DOOR ASSY PC - WHITE-LIGHT GREY TRIM INTEGRAL | C250T |
| | 878347 | DOOR AS SY PC - WHITE-WHITE TRIM INTEGRAL | C250T |

A1: DOOR COMPONENTS PROVISION AND FREEZER COMPARTMENT



SOFTLINE COMPACT SERIES DUAL TEMPERATURE REFRIGERATOR
 KELVINATOR - FRIGIDAIRE
 MODELS C170TR & C250TR

SECTION III

A1: DOOR COMPONENTS PROVISION AND FREEZER COMPARTMENT

| REF | PART NO. | DESCRIPTION |
|-----|----------|--|
| 16 | 872332 | RETAINER GASKET SIDE FC |
| 17 | 875742P | GASKET AS SY FC - LT GREY PACKED |
| • | 872031P | GASKET AS SY FC - LT GREY PACKED INTEGRAL |
| 18 | 878472 | LABEL FREEZER GUIDE |
| 19 | 872258 | PANEL INNER DOOR FC (Also order Label Freezer Guide) |
| 20 | 875653 | COVER HANDLE DOOR CAP - LIGHT GREY |
| | 875652 | COVER HANDLE DOOR CAP - WHITE |
| 21* | 876321 | DOOR ASSY FC - WHITE-LT.GREY TRIM |
| • | 878356 | DOOR AS SY FC - WHITE-LT. GREY TRIM INTEGRAL |
| • | 878439 | DOOR ASSY FC - WHITE-WHITE TRIM |
| 22 | 871123 | PIN DAIRY DOOR |
| 23 | 873012 | DIVIDER BOTTLE RAIL - LIGHT GREY |
| | 882734 | DIVIDER BOTTLE RAIL - WHITE |

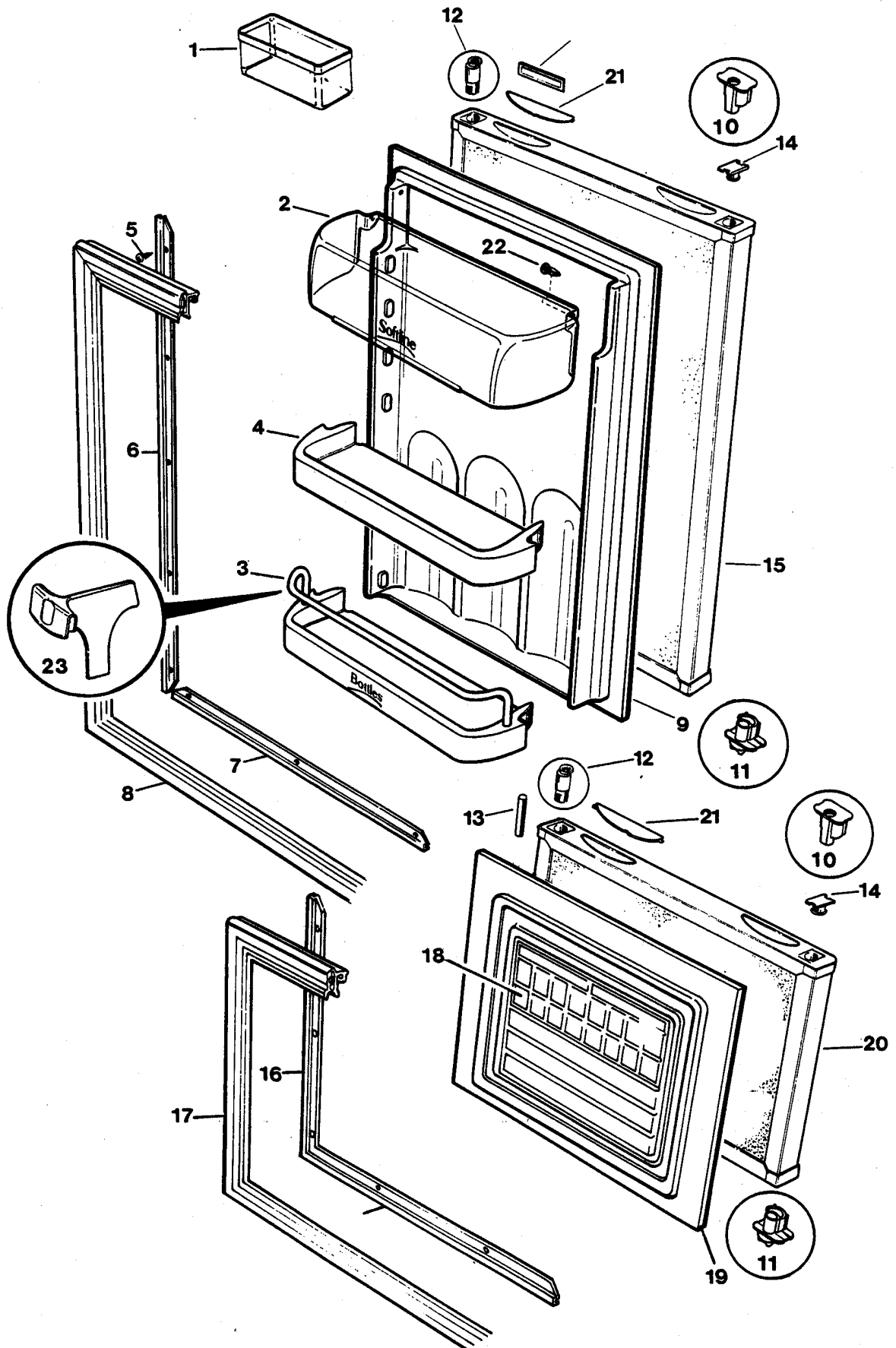
* **PC** NON INTEGRAL DOOR ASSEMBLY INCLUDES ITEMS 5 - 9, 12, 14 & 20

* **PC** INTEGRAL DOOR IS ONLY AVAILABLE AS A COMPLETE ASSEMBLY INCLUDES ITEMS 8 - 9 & 12,14 & 20. HOWEVER ITEMS 8, 12, 14, & 20 CAN BE ORDERED AS SEPARATE PARTS IF REQUIRED.

* **FC** NON INTEGRAL DOOR ASSEMBLY INCLUDES ITEMS 5, 7, 12, 14, 16 - 17 & 19 - 20

* **FC** INTEGRAL DOOR IS ONLY AVAILABLE AS A COMPLETE ASSEMBLY INCLUDES ITEMS 12, 14, 17 & 20. HOWEVER ITEMS 12, 14, 17 & 20 CAN BE ORDERED AS INDIVIDUAL PARTS IF REQUIRED.

A2: DOOR COMPONENTS PROVISION & FREEZER COMPARTMENTS



SOFTLINE COMPACT SERIES DUAL TEMPERATURE REFRIGERATOR
 KELVINATOR - FRIGIDAIRE
 MODEL C240BR

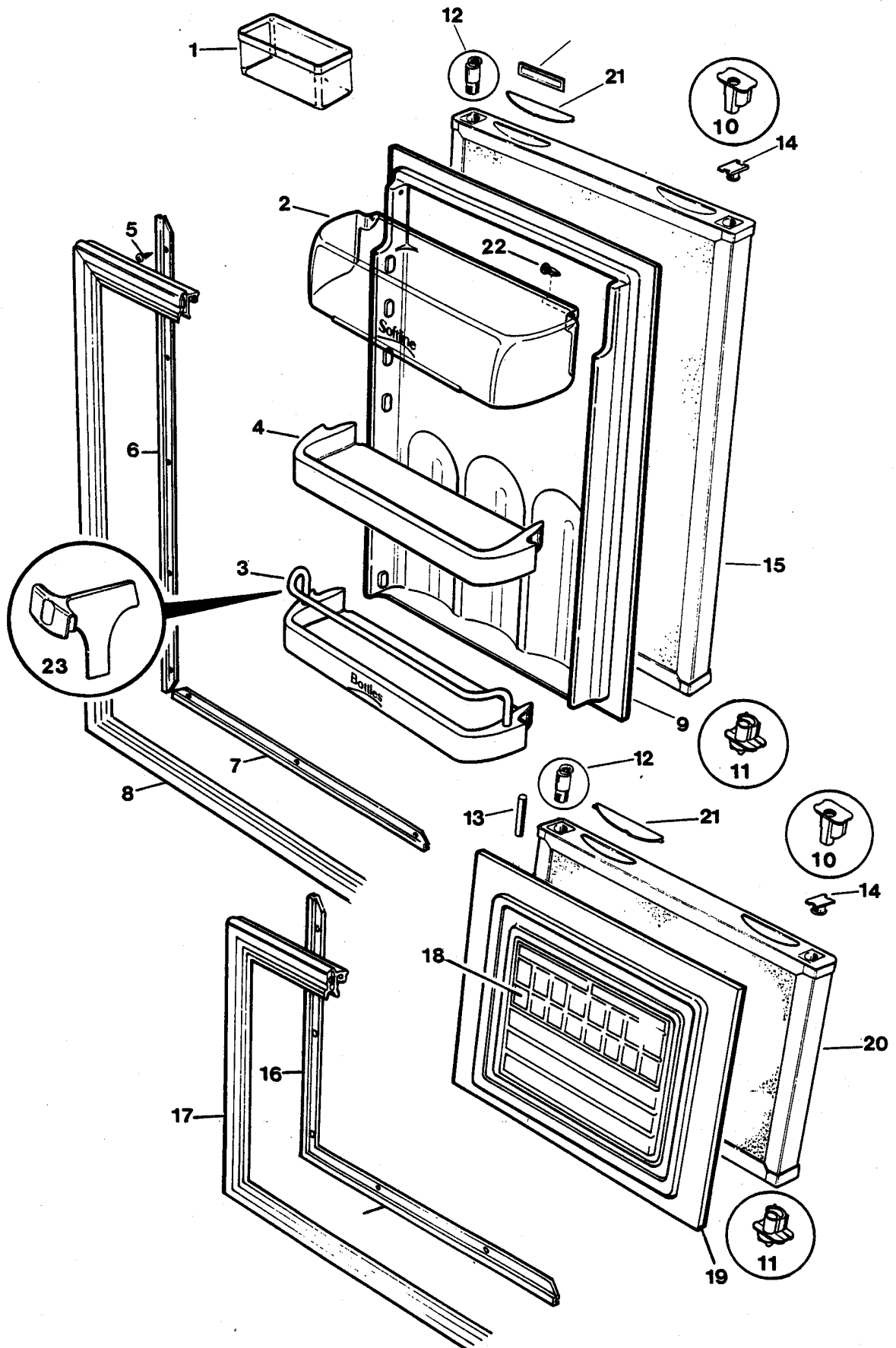
SECTION III

A2: DOOR COMPONENTS PROVISION AND FREEZER COMPARTMENTS

| REF | PART NO. | DESCRIPTION |
|-----|----------|--|
| 1 | 871129 | BIN EGG – DIAMOND |
| 2 | 876254 | DOOR DAIRY – LIGHT GREY H-S DARK GREY/GREEN |
| 3 | 876625 | RAIL BOTTLE SUPPORT |
| 4 | 874978 | SHELF DOOR - LIGHT GREY PLAIN |
| | 874980 | SHELF DOOR - LIGHT GREY H-S GREEN |
| | 874977 | SHELF DOOR - WHITE PLAIN |
| | 874979 | SHELF DOOR - WHITE H-S DK GREY |
| 5 | SP0201P | SCREW 8 X 12 SP PAN NIB ST ZNPL |
| 6 | 872326 | RETAINER GASKET SIDE |
| 7 | 850473 | RETAINER GASKET END |
| 8 | 875740P | GASKET ASSY PC - LIGHT GREY PACKED |
| • | 872029P | GASKET AS SY PC - LIGHT GREY PACKED INTEGRAL |
| 9 | 876486 | PANEL INNER DOOR PC |
| 10 | 875924 | PLUG PIVOT SELF CLOSING DOOR - LT.GREY |
| | 875425 | PLUG PIVOT SELF CLOSING DOOR - WHITE |
| 11 | 875129 | PLUG CAM SELF CLOSING DOOR - LT. GREY |
| | 875128 | PLUG CAM SELF CLOSING DOOR - WHITE |
| 12 | 875697 | BEARING DOOR END CAP - LT GREY |
| | 875943 | BEARING DOOR END CAP - WHITE |
| 13 | 871880 | PIN CENTRE HINGE 71 MM SS |
| 14 | 875694 | PLUG DOOR END CAP - LIGHT GREY |
| | 882348 | PLUG DOOR END CAP - WHITE |
| 15* | 877265 | DOOR ASSY PC - WHITE-LT.GREY TRIM |
| • | 878353 | DOOR ASSY PC - WHITE-LT.GREY TRIM INTEGRAL |
| • | 878346 | DOOR ASSY PC - WHITE-WHITE TRIM INTEGRAL |

* NON INTEGRAL DOOR ASSEMBLY INCLUDES ITEMS 5-9,12,14 & 21
 • INTEGRAL DOOR IS ONLY AVAILABLE AS A COMPLETE ASSEMBLY
 INCLUDES ITEMS 8 - 9, 12, 14 & 21. HOWEVER ITEMS 8, 12, 14 & 21 CAN BE
 ORDERED AS INDIVIDUAL PARTS IF REQUIRED.

A2: DOOR COMPONENTS PROVISION & FREEZER COMPARTMENTS



SOFTLINE COMPACT SERIES DUAL TEMPERATURE REFRIGERATOR
 KELVINATOR - FRIGIDAIRE
 MODEL C240BR

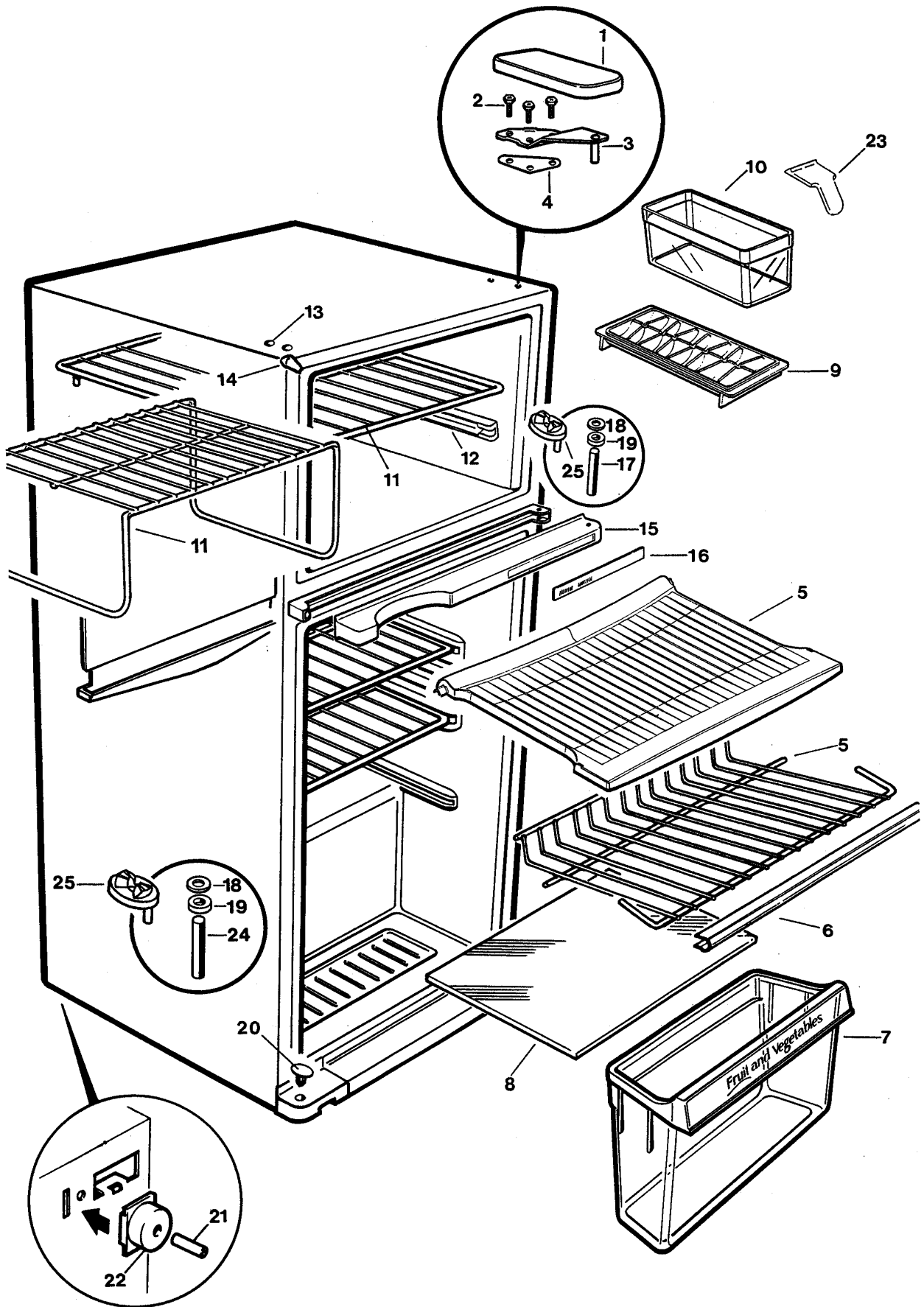
SECTION III

A2: DOOR COMPONENTS PROVISION AND FREEZER COMPARTMENTS

| REF | PART NO. | DESCRIPTION |
|-----|----------|--|
| 16 | 872326 | RETAINER GASKET SIDE FC |
| 17 | 875740P | GASKET ASSY FC - LIGHT GREY PACKED |
| • | 872029P | GASKET AS SY FC - LIGHT GREY PACKED INTEGRAL |
| 18 | 878472 | LABEL FREEZER GUIDE |
| 19 | 872259 | PANEL INNER DOOR FC (Also order Label Freezer Guide) |
| 20* | 876322 | DOOR ASSY FC - WHITE-LT.GREY TRIM |
| • | 878357 | DOOR ASSY FC - WHITE-LT.GREY TRIM INTEGRAL |
| • | 878350 | DOOR ASSY FC - WHITE-WHITE TRIM INTEGRAL |
| 21 | 875653 | COVER HANDLE DOOR CAP - LIGHT GREY |
| | 875652 | COVER HANDLE DOOR CAP - WHITE |
| 22 | 871123 | PIN HINGE DAIRY DOOR |
| 23 | 882734 | DIVIDER BOTTLE RAIL - WHITE |
| | 873012 | DIVIDER BOTTLE RAIL - LIGHT GREY |

- * NON INTEGRAL DOOR ASSEMBLY INCLUDES ITEMS 7,16 - 17 & 21
- INTEGRAL DOOR IS ONLY AVAILABLE AS A COMPLETE ASSEMBLY INCLUDES ITEMS 12,17 - 19 & 21. HOWEVER ITEMS 12,17 & 21 CAN BE ORDERED AS INDIVIDUALPARTS IF REQUIRED.

B1: CABINETS & PROVISION / FREEZER COMPARTMENT COMPONENTS



SOFTLINE COMPACT SERIES DUAL TEMPERATURE REFRIGERATOR
 KELVINATOR - FRIGIDAIRE
 MODELS C170TR, C250TR

SECTION III

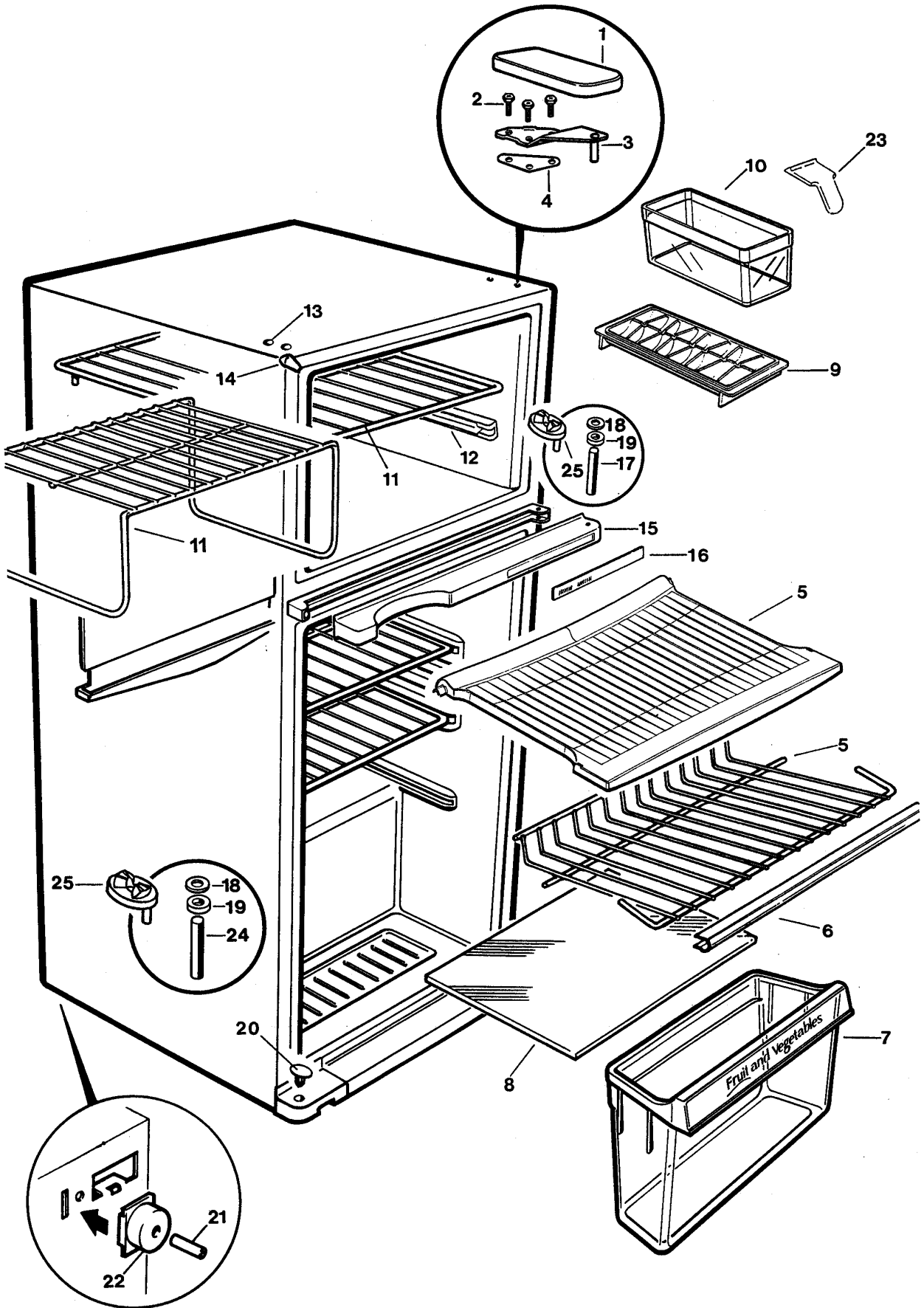
B1: CABINETS & PROVISION / FREEZER COMPARTMENT COMPONENTS

| REF | PART NO. | DESCRIPTION |
|-----|----------|---|
| 1 | 875923 | COVER HINGE TOP BRACKET - LIGHT GREY |
| | 882346 | COVER HINGE TOP BRACKET - WHITE |
| 2 | 610312 | SCREW MC M5 X 20 HEX PH MS ZNPL |
| 3 | 882319 | BRACKET HINGE TOP |
| 4 | 882355 | GASKET HINGE TOP |
| 5 | 872244 | SHELF PC WHITE 443 X 278MM |
| | 872000* | SHELF PC WHITE 443 X 278MM |
| | 875049* | SHELF PLASTIC 443 X 290MM |
| 6 | 875724 | TRIM SHELF PC - LIGHT GREY |
| 7 | 876758 | BIN CRISPER - DIAMOND H-S DARK GREY |
| 8 | 854900 | SHELF GLASS 440 X 300MM |
| 9 | 850749 | TRAY ICE CUBE |
| 10 | 871129 | BIN ICE - DIAMOND |
| 11 | 872081 | SHELF FC SLIDING 410 X360MM |
| | 875324 | SHELF FC FREE STANDING 405 X 315MM |
| 12 | 870170 | BRACKET SHELF SUPPORT (FIELD FIX FIT) |
| 13 | 877648 | PLUG SCREW HOLE - WHITE |
| 14 | 871504 | TRIM CORNER - WHITE |
| 15 | 874972 | COVER CROSS RAIL - LIGHT GREY |
| | 874971 | COVER CROSS RAIL - WHITE |
| 16 | 878223 | NAMEPLATE INSERT (SELF ADHESIVE) KELVINATOR - LT.GREY |
| | 878245 | NAMEPLATE INSERT (SELF ADHESIVE) KELVINATOR - WHITE |
| | 878220 | NAMEPLATE INSERT (SELF ADHESIVE) FRIGIDAIRE - LT.GREY |
| | 878242 | NAMEPLATE INSERT (SELF ADHESIVE) FRIGIDAIRE - WHITE |

NOTES:

* REFER TECHNICAL BULLETIN-RF001

B1: CABINETS & PROVISION / FREEZER COMPARTMENT COMPONENTS



SOFTLINE COMPACT SERIES DUAL TEMPERATURE REFRIGERATOR
KELVINATOR - FRIGIDAIRE
MODELS C170TR, C250TR

SECTION III

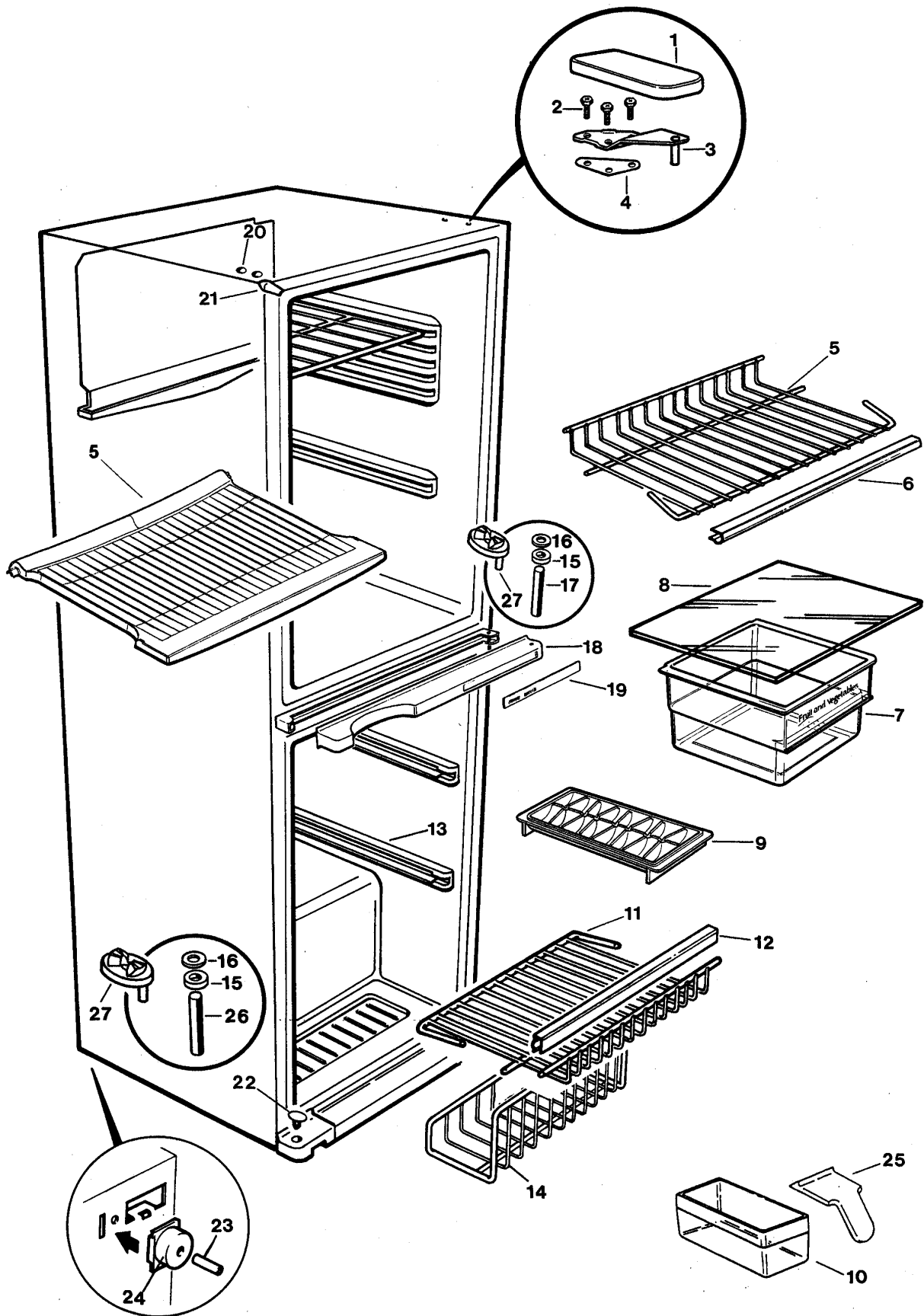
B1: CABINETS & PROVISION/FREEZER COMPARTMENT COMPONENTS

| REF | PART NO. | DESCRIPTION |
|-----|----------|---|
| 17 | 871880 | PIN CENTRE HINGE 71MM SS |
| 18 | 875699 | WASHER HINGE BEARING LOMM - LIGHT GREY |
| | 873484 | WASHER HINGE BEARING LOMM - WHITE |
| 19 | 875698 | WASHER HINGE BEARING 4.8MM - LIGHT GREY |
| | 873510 | WASHER HINGE BEARING 4.8MM - WHITE |
| 20 | 876309 | PLUG HINGE PIN HOLE - LIGHT GREY |
| | 875405 | PLUG HINGE PIN HOLE - WHITE |
| 21 | 402016 | PIN - SKID |
| 22 | 402015 | SKID |
| 23 | 53101 | SCRAPER ICE DEFROSTER |
| 24 | 875418 | PIN PIVOT 40MM SS |
| 25 | 878271 | BEARING CAM SELF CLOSING 1.9MM - LIGHT GREY |
| | 875834 | BEARING CAM SELF CLOSING 1.9MM - WHITE |

ITEMS NOT ILLUSTRATED

| | |
|--------|---------------------------|
| 874546 | BOOKLET USE & CARE REFRIG |
| 878426 | LEAFLET WARRANTY F&P |

B2: CABINET & PROVISION / FREEZER COMPARTMENT COMPONENTS



SOFTLINE COMPACT SERIES DUAL TEMPERATURE REFRIGERATOR
MODEL C240BR

SECTION III

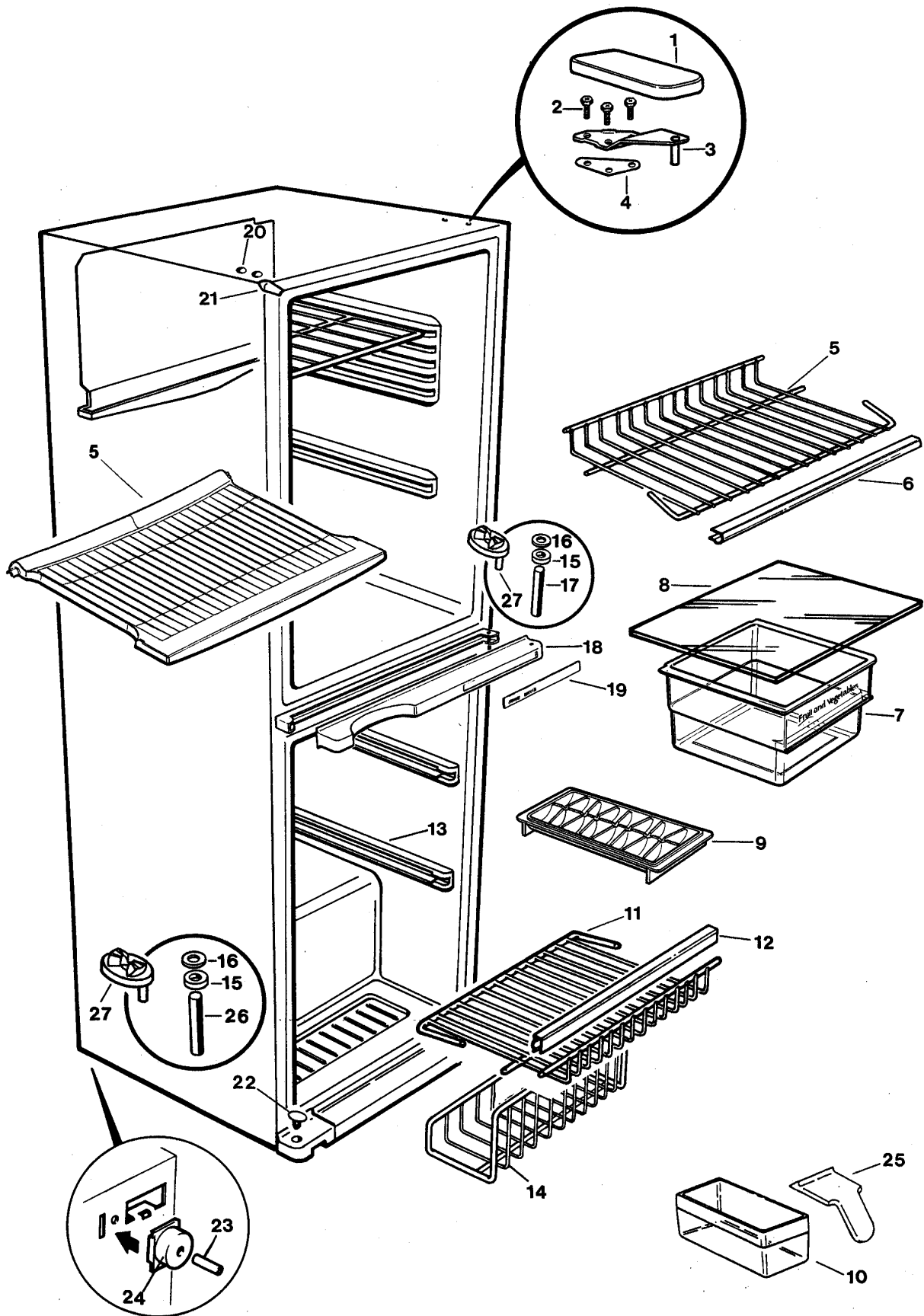
B2: CABINET & PROVISION/FREEZER COMPARTMENT COMPONENTS

| REF | PART NO. | DESCRIPTION |
|-----|----------|---|
| 1 | 875923 | COVER HINGE TOP BRACKET – LIGHT GREY |
| | 882346 | COVER HINGE TOP BRACKET – WHITE |
| 2 | 610312 | SCREW MC M5 X 20 HEX PH MS ZNPL |
| 3 | 882319 | BRACKET HINGE TOP |
| 4 | 882355 | GASKET HINGE TOP |
| 5 | 872244 | SHELF PC WHITE 443 X 278MM |
| | 872000* | SHELF PC WHITE 443 X 278MM |
| | 875049* | SHELF PLASTIC 443 X 290MM |
| 6 | 875724 | TRIM SHELF PC - LIGHT GREY |
| 7 | 876739 | BIN CRISPER - DIAMOND H-S DARK GREY |
| 8 | 854900 | SHELF GLASS 440 X 300MM |
| 9 | 850749 | TRAY ICE CUBE |
| 10 | 871129 | BIN ICE - DIAMOND |
| 11 | 875022 | SHELF FC - For Fitting Trim |
| | 871357 | SHELF FC - Modified.No Trim |
| 12 | 875726 | TRIM SHELF FC - LIGHT GREY |
| | 876144 | TRIM SHELF FC -WHITE |
| 13 | 870170 | BRACKET SHELF SUPPORT |
| 14 | 852704 | BASKET FC |
| 15 | 875698 | WASHER HINGE BEARING 4.8MM - LIGHT GREY |
| | 873510 | WASHER HINGE BEARING 4.8MM - WHITE |
| 16 | 875699 | WASHER HINGE BEARING LOMM - LIGHT GREY |
| | 873484 | WASHER HINGE BEARING LOMM - WHITE |
| 17 | 871880 | PIN CENTRE HINGE 71MM SS |
| 18 | 874972 | COVER CROSS RAIL - LIGHT GREY |
| | 874971 | COVER CROSS RAIL - WHITE |
| 19 | 878233 | NAMEPLATE INSERT (SELF ADHESIVE) KELVINATOR - LT.GREY |
| | 878245 | NAMEPLATE INSERT (SELF ADHESIVE) KELVINATOR - WHITE |
| | 878200 | NAMEPLATE INSERT (SELF ADHESIVE) FRIGIDAIRE - LT.GREY |
| | 878242 | NAMEPLATE INSERT (SELF ADHESIVE) FRIGIDAIRE - WHITE |

NOTES:

* REFER TECHNICAL BULLETIN-RF001

B2: CABINET & PROVISION / FREEZER COMPARTMENT COMPONENTS



SOFTLINE COMPACT SERIES DUAL TEMPERATURE REFRIGERATOR
KELVINATOR - FRIGIDAIRE
MODEL C240BR

SECTION III

B2: CABINET & PROVISION/FREEZER COMPARTMENT COMPONENTS

| REF | PART NO. | DESCRIPTION |
|-----|----------|--|
| 20 | 877648 | PLUG SCREW HOLE - WHITE |
| 21 | 871504 | TRIM CORNER - WHITE |
| 22 | 876309 | PLUG HINGE PIN HOLE - LIGHT GREY |
| 23 | 402016 | PIN - SKID |
| 24 | 402015 | SKID |
| 25 | 53101 | SCRAPER ICE DEFROSTER |
| 26 | 875418 | PIN PIVOT 40MM SS |
| 27 | 878271 | BEARING CAM SELF CLOSING DOOR 1.9MM - LIGHT GREY |
| | 875834 | BEARING CAM SELF CLOSING DOOR 1.9MM - WHITE |

ITEMS NOT ILLUSTRATED

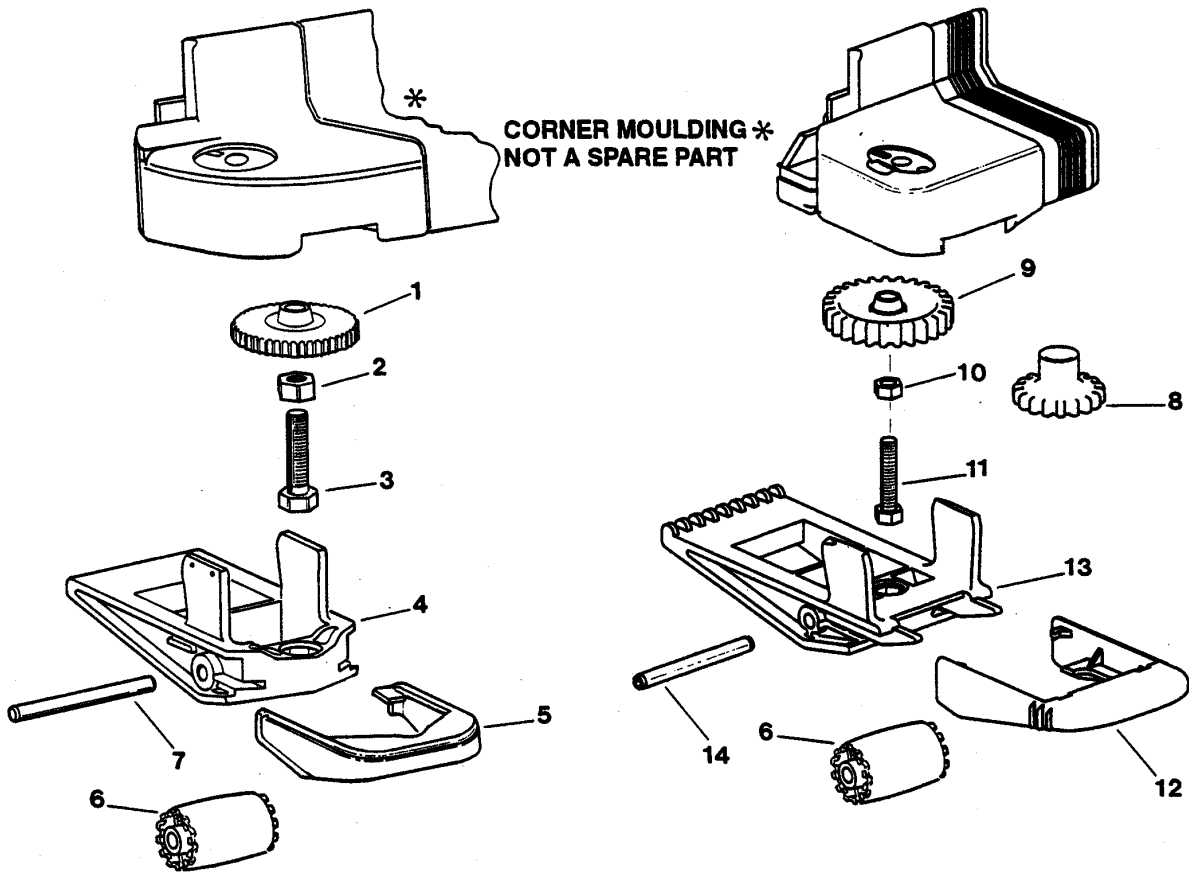
| | |
|--------|---------------------------|
| 872399 | BOOKLET FREEZE WITH EASE |
| 874546 | BOOKLET USE & CARE REFRIG |
| 878426 | LEAFLET WARRANTY F&P |
| 852208 | TUBE DRAIN FREEZER |

B3: CABINET ROLLER COMPONENTS

PRE JUNE 1995

FRONT ROLLER ASSEMBLY

POST JUNE 1995



SOFTLINE COMPACT SERIES DUAL TEMPERATURE REFRIGERATOR
 KELVINATOR - FRIGIDAIRE
 MODELS C170TR, C250TR & C240BR

SECTION III

B3: CABINET ROLLER COMPONENTS

REF PART NO. DESCRIPTION

FRONT ROLLER ASSY

PRE JUNE 1995

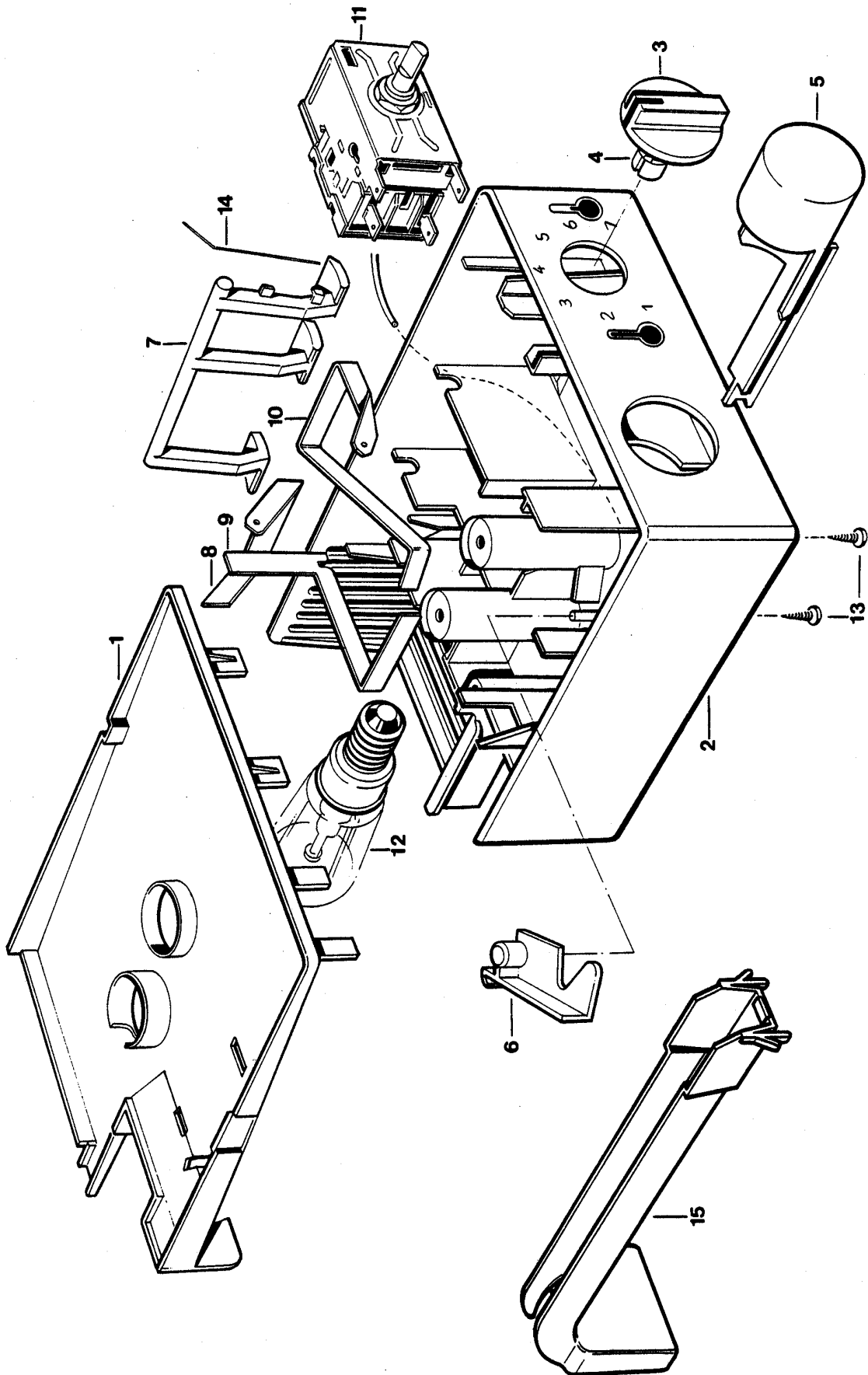
| | | |
|---|---------|---|
| 1 | 876310 | ADJUSTER WHEEL - LIGHT GREY |
| 2 | 900312P | NUT ROLLER M6 X 1.0 ZNPL |
| 3 | 900311 | SET SCREW M6 X 1.0 X 25 ZNPL (Part of Item 4) |
| 4 | 875410 | ROLLER CHASSIS |
| 5 | 875412 | ROLLER LOCK |
| 6 | 875411 | ROLLER WHEEL |
| 7 | 900313 | PIN ROLL |
| | 876637 | ROLLER FRONT ASSEMBLY Includes Items 1-7 |

FRONT ROLLER ASSY

POST JUNE 1995

| | | |
|----|--------|---|
| 8 | 878452 | PINION ROLLER - LIGHT GREY |
| 9 | 878450 | GEAR ROLLER ASSEMBLY |
| 10 | 878457 | NUT M5 X 1 ZNPL |
| 11 | 878456 | SCREW M5 X 25 ZNPL HEX |
| 12 | 878448 | BRAKE ROLLER ASSEMBLY |
| 13 | 878446 | CHASSIS ROLLER ASSEMBLY |
| 14 | 878458 | ROLL PIN 4.5 DIA X 45MM |
| | 502229 | ROLLER FRONT ASSEMBLY Includes Items 6,8-14 |

B4: CONTROL MODULE COMPONENTS



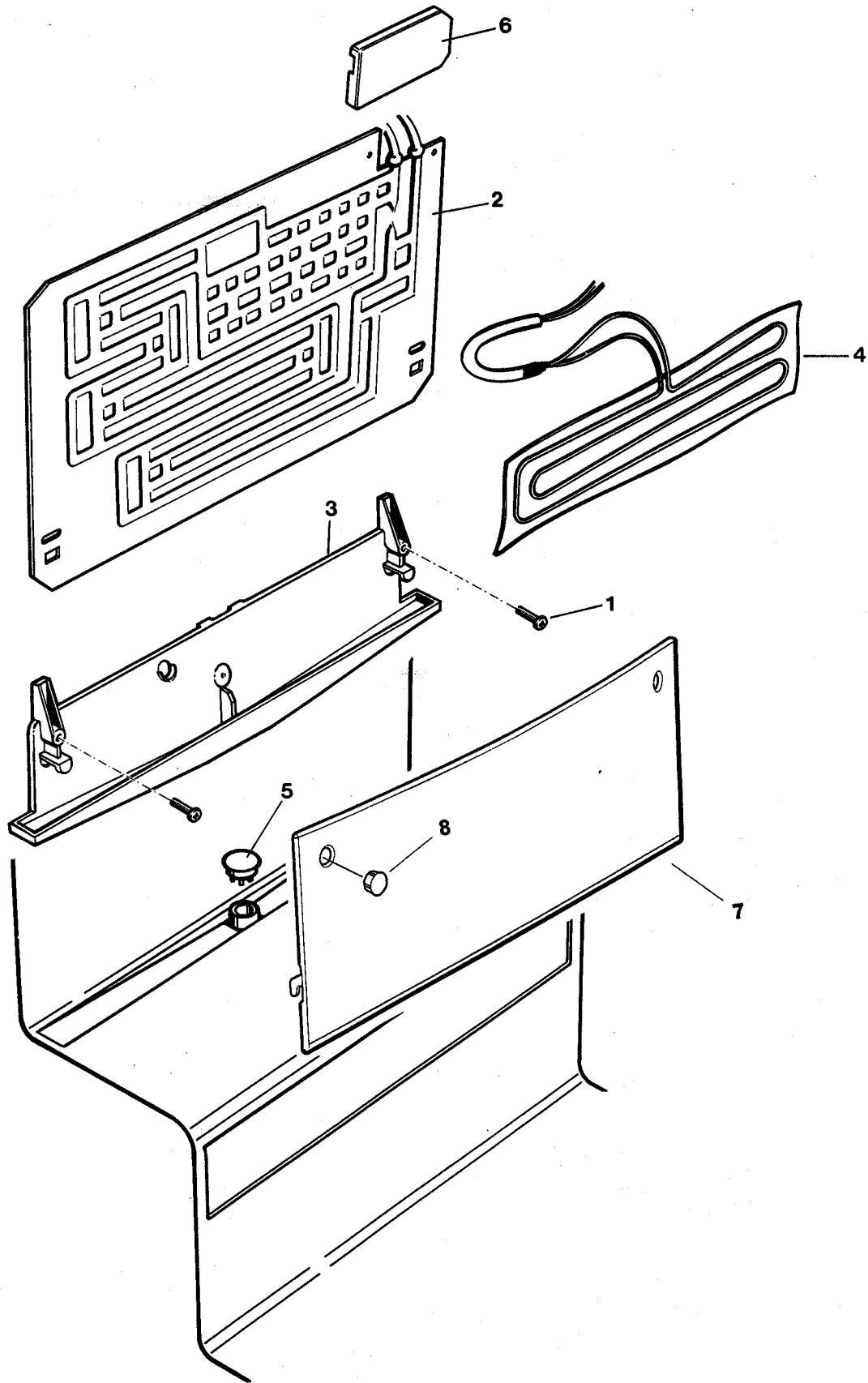
SOFTLINE COMPACT SERIES DUAL TEMPERATURE REFRIGERATOR
KELVINATOR - FRIGIDAIRE
MODELS C170TR, C250TR & C240BR

SECTION III

B4: CONTROL MODULE COMPONENTS

| REF | PART NO. | DESCRIPTION |
|-----|----------|--|
| 1 | 876884 | COVER CONTROL BOX |
| 2 | 876897 | BASE CONTROL BOX - H-S DARK GREY |
| 3 | 876632 | KNOB CONTROL AS SY - LIGHT GREY + GREEN INSERT |
| 4 | 874794 | CLIP CONTROL KNOB |
| 5 | 876746 | KNOB LIGHT SWITCH - LIGHT GREY |
| 6 | 876995 | CAM CONTROL |
| 7 | 874892 | DOOR CONTROL |
| 8 | 871302 | TERMINAL NEUTRAL CONTROL BOX |
| 9 | 871032 | TERMINAL SPRING CONTROL BOX |
| 10 | 872470 | TERMINAL PHASE CONTROL BOX |
| 11 | 878563P | CONTROL RANCO K59 P6827 |
| 12 | 871312P | LAMP 230V 15W SES |
| 13 | SP0055 | SCREW ST 8 x 20 TAB PAN PH SS |
| 14 | 871040 | SPRING CONTROL BOX |
| 15 | 876484 | DUCT CONTROL BOX |

B5: EVAPORATOR PLATE – DEFROST HEATER



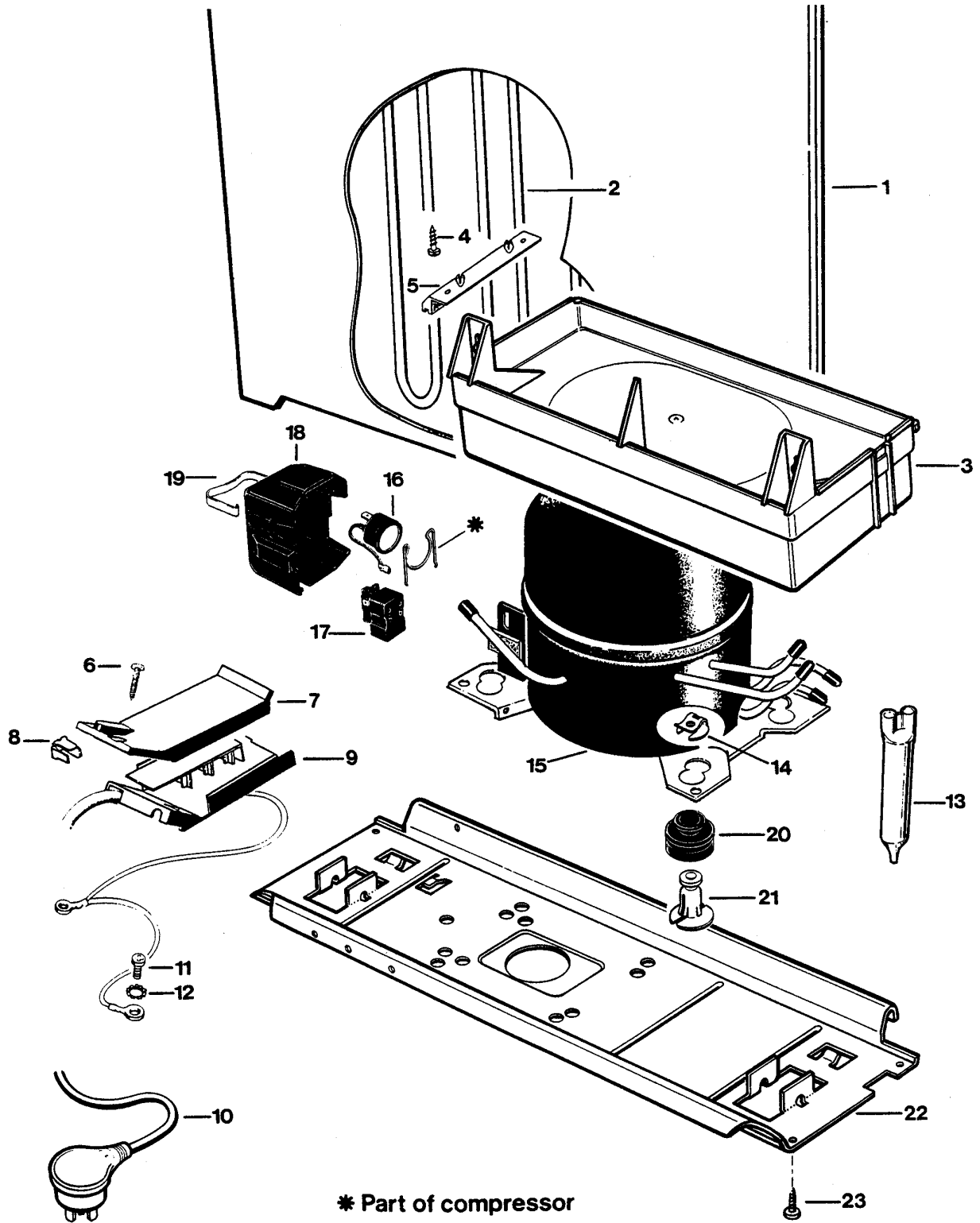
SOFTLINE COMPACT SERIES DUAL TEMPERATURE REFRIGERATOR
 KELVINATOR - FRIGIDAIRE
 MODELS C170TR, C250TR & C240BR

SECTION III

B5: EVAPORATOR PLATE – DEFROST HEATER

| REF | PART NO. | DESCRIPTION | |
|-----|----------|-------------------------------------|-------|
| 1 | SP0059 | SCREW ST 8 X 40 TAB PAN PH SS | |
| 2 | 878279 | EVAPORATOR PLATE ASSY - TOP SENSING | C170T |
| | 878278 | EVAPORATOR PLATE ASSY - TOP SENSING | C250T |
| | 878279 | EVAPORATOR PLATE ASSY - TOP SENSING | C240B |
| NI | 878276 | RETAINER PHIAL TUBE - PAINTED | |
| 3 | 876732 | PLATE HEATER | |
| 4 | 877319 | HEATER DEFROST 230V | |
| 5 | 851800 | COVER DRAIN TUBE | |
| 6 | 851302 | COVER -EVAPORATOR PLATE | |
| 7 | 875050 | DEFLECTOR AIR FLOW | |
| 8 | 855156 | PLUG COVER 10MM WHITE | |

C1: CABINET REAR & COMPRESSOR COMPARTMENT



SOFTLINE COMPACT SERIES DUAL TEMPERATURE REFRIGERATOR
 KELVINATOR - FRIGIDAIRE
 MODELS C170TR, C250TR & C240BR

SECTION III

C1: CABINET REAR & COMPRESSOR COMPARTMENT

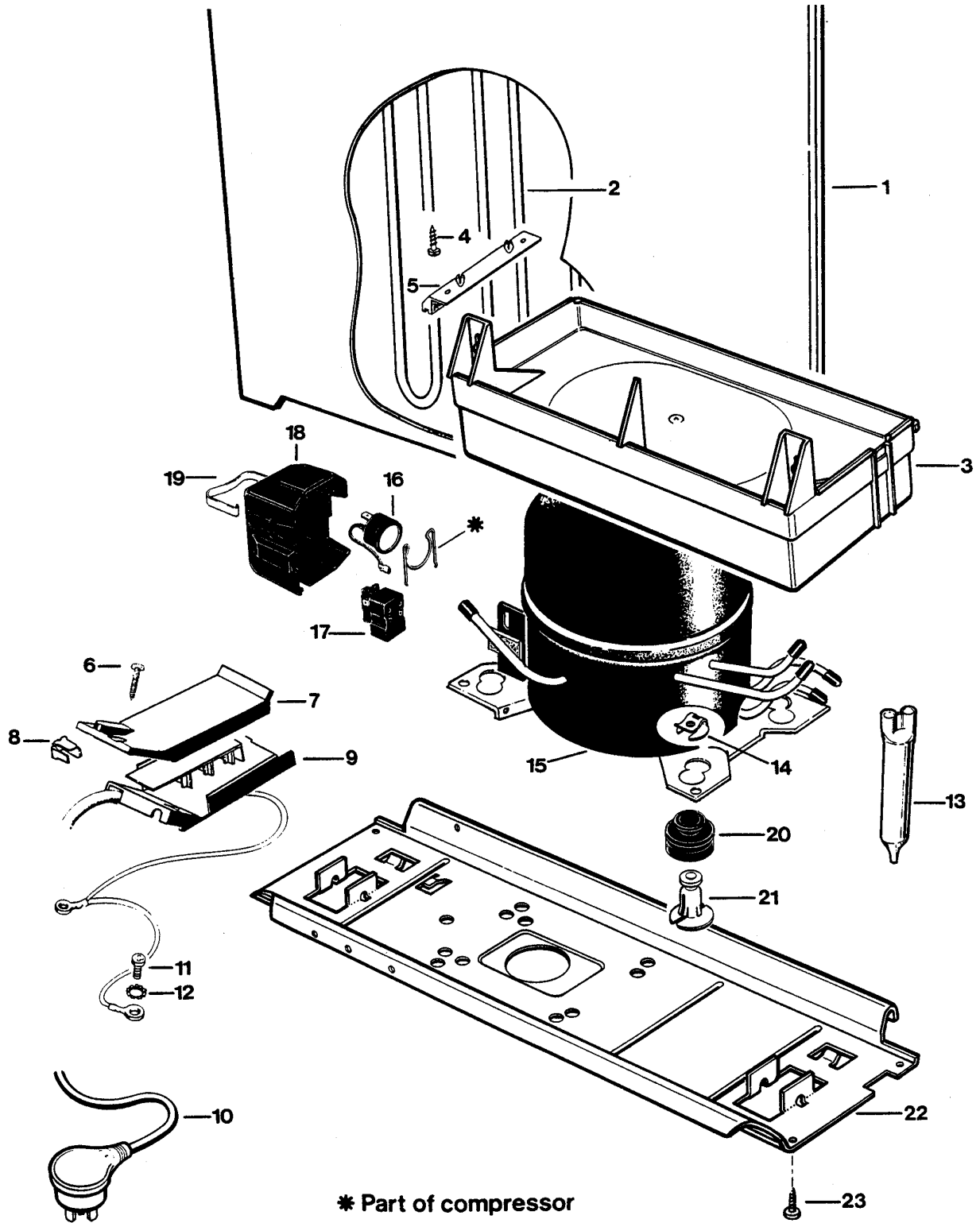
| REF | PART NO. | DESCRIPTION |
|-------|----------|---|
| 1 * | 874875 | BACK PANEL ASSY INCL CONDENSER C170T |
| | 874877 | BACK PANEL AS SY INCL CONDENSER C250T - C240B |
| 2 | | CONDENSER INTERNAL - PART OF ITEM 1 |
| 3 | 876652 | TRAY WATER EVAPORATOR |
| 4 | SP0201P | SCREW ST 8 X 12 SP PAN NIB HS ZNPL |
| 5 | 873270 | RUNNER EVAPORATOR TRAY |
| 6 | SP0006 | SCREW ST 8 X 20 PAN HD ST ZNPL |
| 7 | 874888 | LID TERMINAL BLOCK |
| 8 | 874338 | TERMINAL 3 WAY UTILUX H1906 |
| 9 | 875116 | BASE TERMINAL BLOCK |
| 10 | 816886 | CABLE MAINS SUPPLY |
| 11 | 900377 | SCREW ST 8-32 X 9.5 PAN PH HS ZNPL |
| 12 | SP0351 | WASHER LOCK 5MM EXT ZNPL |
| 13 | 502068 | FILTER 12 GRAM XH9 |
| 14-20 | | REFER FOLLOWING PAGE |
| 21 | 850265 | PIN COMPRESSOR MOUNTING |
| 22 | 875124 | TRAY COMPRESSOR MOUNTING |
| 23 | 900475 | SCREW ST 8 x 16 NIB PAN ZNPL |

PARTS NOT ILLUSTRATED

| | |
|--------|--|
| 850027 | GROMMET - EVAP.S & C LINE |
| 876908 | DUCT HARNESS 650MM C170T |
| 871573 | SUCTION & CAPILLARY LINE (YELLOW) |
| 815211 | SUCTION & CAPILLARY LINE (RED) C250T-C240B |

* BACK PANEL ASSY INCLUDES:
 SEALANT FOAM TAPE AND BACK CONDENSER TAPED TO THE BACK PANEL
 WITH ALUMINIUM TAPE.

C1: CABINET REAR & COMPRESSOR COMPARTMENT



SOFTLINE COMPACT SERIES DUAL TEMPERATURE REFRIGERATOR
 KELVINATOR - FRIGIDAIRE
 MODELS C170TR, C250TR & C240BR

SECTION III

C1: CABINET REAR & COMPRESSOR

REF PART NO. DESCRIPTION

**COMPRESSOR SELECTION
 220240V 50HZ**

MODEL C170T

| | | | |
|----|---------|-----------------------------|-------|
| 14 | 850266 | CLIP COMPRESSOR MOUNTING | |
| 15 | 209936P | COMPRESSOR SB48C10WA | R134a |
| 16 | | OVERLOAD - INTERNAL | |
| 17 | 209802 | RELAY PTC | |
| 18 | 209788 | COVER PROTECTOR COMPRESSOR | |
| 19 | | NOT USED | |
| 20 | 872467 | GROMMET COMPRESSOR MOUNTING | |

MODELS C250T & C240B

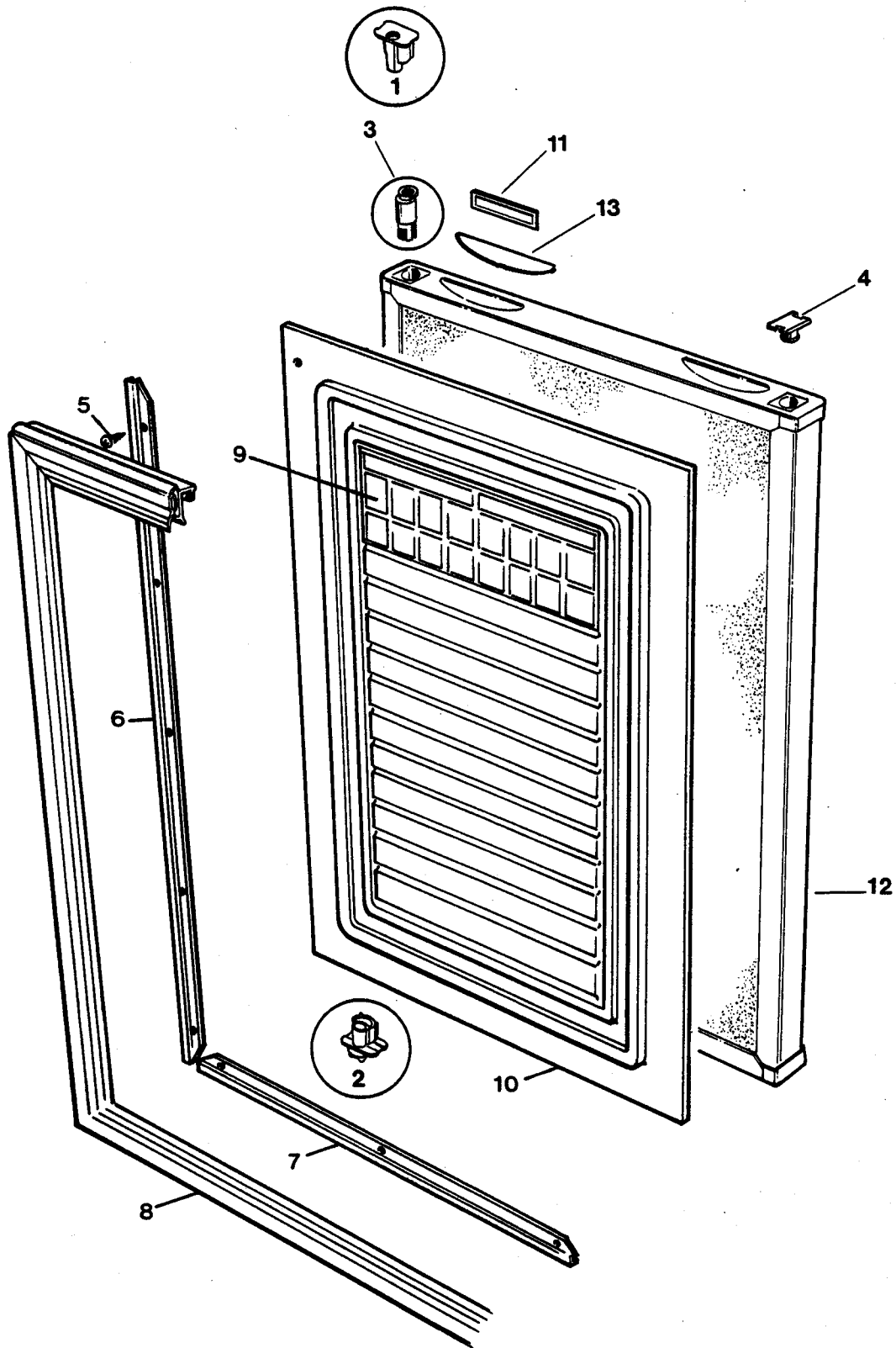
| | | | |
|----|---------|-----------------------------|-------|
| 14 | 850266 | CLIP COMPRESSOR MOUNTING | |
| 15 | 209951P | COMPRESSOR D66C13RAW5 | R134a |
| 16 | 209977 | OVERLOAD MM3-21FDF | |
| 17 | 209911 | RELAY PTC MM8-5DDT33M | |
| 18 | 209672 | COVER PROTECTOR COMPRESSOR | |
| 19 | 209673 | CLAMP PROTECTOR COMPRESSOR | |
| 20 | 872467 | GROMMET COMPRESSOR MOUNTING | |
| 14 | 850266 | CLIP COMPRESSOR MOUNTING | |
| 15 | 209298P | COMPRESSOR SD51C10WAY5 | R134a |
| 16 | | NOT USED | |
| 17 | 209988 | RELAY PTC MM8-5DDT33M | |
| 18 | 209672 | COVER PROTECTOR COMPRESSOR | |
| 19 | | NOT USED | |
| 20 | 872467 | GROMMET COMPRESSOR MOUNTING | |

NOTES

SECTION IV
SOFTLINE COMPACT SERIES
MODELS F160R & F230R

VERTICAL FREEZERS

A1: DOOR COMPONENTS FREEZER COMPARTMENT



SOFTLINE COMPACT SERIES VERTICAL FREEZER
KELVINATOR - FRIGIDAIRE
MODELS F160R & F230R

SECTION IV

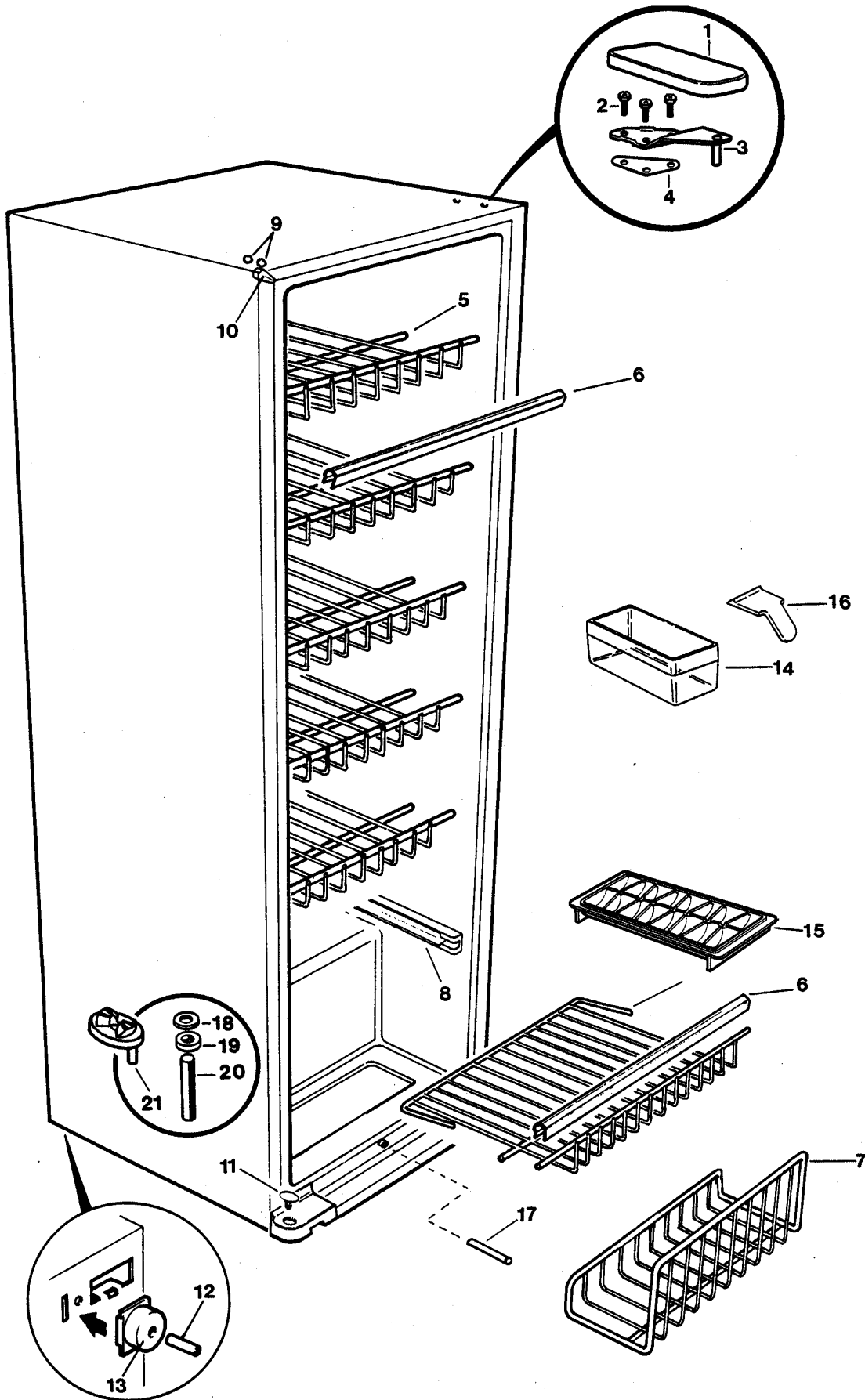
A1: DOOR COMPONENTS FREEZER COMPARTMENT

| REF | PART NO. | DESCRIPTION | |
|-----|----------|--|------|
| 1 | 875924 | PLUG PIVOT SELF CLOSING DOOR - LIGHT GREY | |
| | 875425 | PLUG PIVOT SELF CLOSING DOOR - WHITE | |
| | 875129 | PLUG CAM SELF CLOSING DOOR – LIGHT GREY | |
| | 875128 | PLUG CAM SELF CLOSING DOOR – WHITE | |
| | 875697 | BEARING DOOR END CAP - LIGHT GREY | |
| | 875943 | BEARING DOOR END CAP – WHITE | |
| | 875694 | PLUG DOOR END CAP - LIGHT GREY | |
| | 882348 | PLUG DOOR END CAP – WHITE | |
| | SP0201P | SCREW 8 X 12 SP PAN NIB HS ZNPL | |
| | 872329 | RETAINER GASKET SIDE | F160 |
| | 857472 | RETAINER GASKET SIDE | F230 |
| | 850473 | RETAINER GASKET TOP & BOTTOM | |
| | 875741P | GASKET ASSY FC - LT GREY PACKED | F160 |
| • | 872028P | GASKET ASSY FC - LT GREY PACKED INTEGRAL | F160 |
| | 875743P | GASKET ASSY FC - LT GREY PACKED | F230 |
| • | 872027P | GASKET ASSY FC - LT GREY PACKED INTEGRAL | F230 |
| 9 | 878472 | LABEL FREEZER GUIDE | |
| 10 | 872260 | PANEL INNER DOOR | F160 |
| | 872261 | PANEL INNER DOOR | F230 |
| 11 | 878233 | NAMEPLATE AS SY KELV - LIGHT GREY | |
| | 878245 | NAMEPLATE ASSY KELV – WHITE | |
| | 878230 | NAMEPLATE AS SY FRIG - LIGHT GREY | |
| | 878242 | NAMEPLATE ASSY FRIG – WHITE | |
| 12* | 876323 | DOOR ASSY FC - WHITE-LIGHT GREY TRIM | F160 |
| • | 878358 | DOOR ASSY FC - WHITE-LIGHT GREY TRIM INTEGRAL | F160 |
| • | 878351 | DOOR ASSY FC - WHITE-WHITE TRIM INTEGRAL | F160 |
| * | 876324 | DOOR ASSY FC - WHITE-LIGHT GREY TRIM | F230 |
| • | 878359 | DOOR AS SY FC - WHITE-LIGHT GREY TRIM INTEGRAL | F230 |
| • | 878352 | DOOR AS SY FC - WHITE- WHITE TRIM INTEGRAL | F230 |
| 13 | 875653 | COVER HANDLE - LIGHT GREY | |
| | 875652 | COVER HANDLE – WHITE | |

* NON INTEGRAL DOOR ASSEMBLY INCLUDES ITEMS 3 - 10 & 13

• INTEGRAL DOOR IS ONLY AVAILABLE AS A COMPLETE ASSEMBLY

B1: CABINET FREEZER COMPARTMENT



SOFTLINE COMPACT SERIES VERTICAL FREEZER
 KELVINATOR - FRIGIDAIRE
 MODELS F160R & F230R

SECTION IV

B1: CABINET FREEZER COMPARTMENT

| REF | PART NO. | DESCRIPTION | |
|-----|----------|---|------|
| 1 | 875923 | COVER TOP HINGE - LIGHT GREY | |
| | 875652 | COVER TOP HINGE - WHITE | |
| 2 | 610312 | SCREW MC M5 X 20 HEX PH MS ZNPL | |
| 3 | 882319 | BRACKET HINGE TOP | |
| 4 | 882355 | GASKET HINGE TOP | |
| 5 | 875022 | SHELF FC - For Fitting Trim | |
| | 871357 | SHELF FC - Modified. No Trim | |
| 6 | 875726 | TRIM SHELF FC - LIGHT GREY | |
| | 876144 | TRIM SHELF FC - WHITE | |
| 7 | 852704 | BASKET FC | |
| 8 | 870170 | BRACKET SHELF SUPPORT FC | |
| 9 | 877648 | PLUG SCREW HOLE - WHITE | |
| 10 | 871504 | TRIM CORNER - WHITE | |
| 11 | 876309 | PLUG HINGE PIN HOLE - LIGHT GREY | |
| | 875405 | PLUG HINGE PIN HOLE - WHITE | |
| 12 | 402016 | PIN SKID | |
| 13 | 402015 | SKID PLASTIC | |
| 14 | 871129 | BIN ICE – DIAMOND | |
| 15 | 850749 | TRAY ICE CUBE | |
| 16 | 53101 | SCRAPER ICE DEFROSTER | |
| 17 | 852208 | TUBE DRAIN OUTLET | |
| 18 | 875699 | WASHER HINGE BEARING LOMM – LT GREY | |
| | 873484 | WASHER HINGE BEARING LOMM - WHITE | |
| 19 | 875698 | WASHER HINGE BEARING 4.9MM – LT GREY | |
| | 873 510 | WASHER HINGE BEARING 4.9MM - WHITE | |
| 20 | 875418 | PIN PIVOT 40MM SS | |
| 21 | 878271 | BEARING CAM SELF CLOSING DOOR 1.9MM - LT GREY | F230 |
| | 875834 | BEARING CAM SELF CLOSING DOOR 1.9MM - WHITE | F230 |
| | 877961 | BEARING CAM SELF CLOSING DOOR 4.9MM - LT GREY | F160 |
| | 877960 | BEARING CAM SELF CLOSING DOOR 4.9MM - WHITE | F160 |

ITEMS NOT ILLUSTRATED

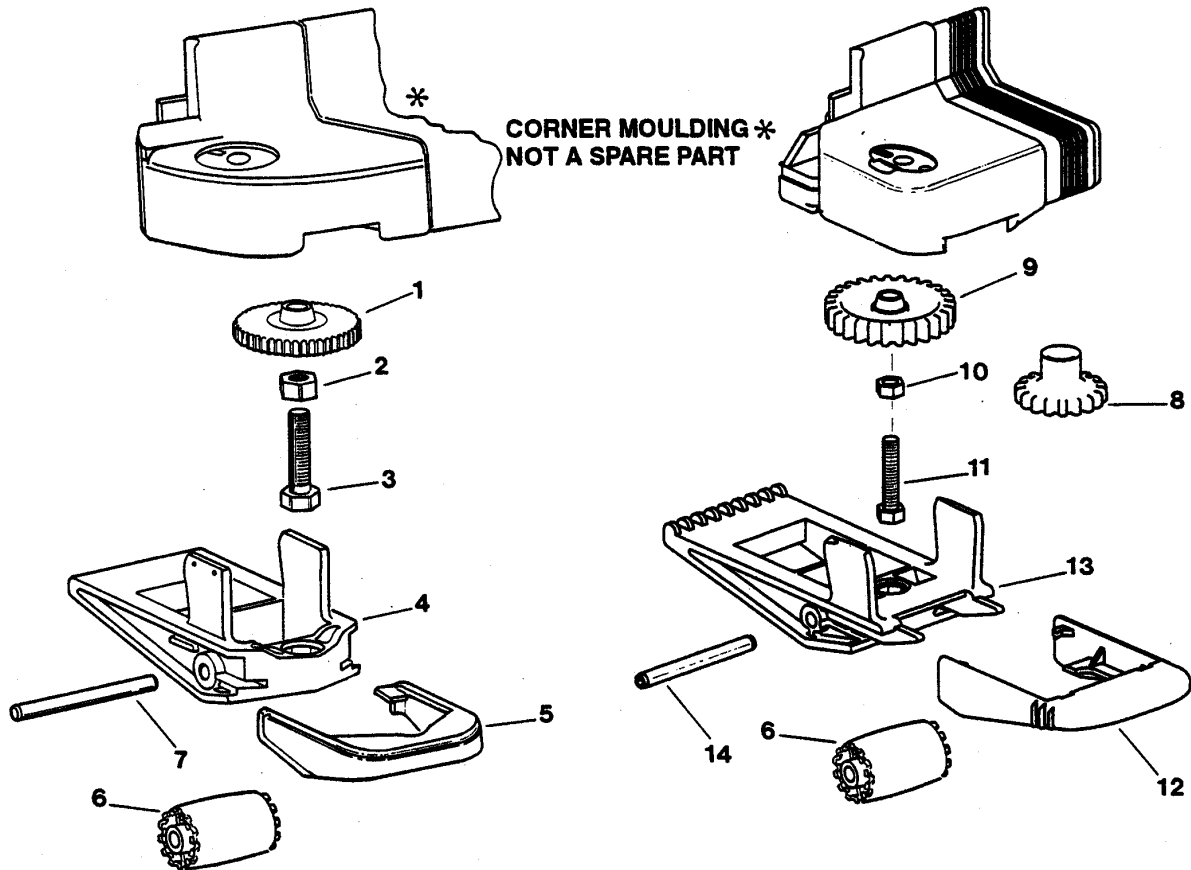
| | |
|--------|------------------------------|
| 872399 | BOOKLET FREEZE WITH EASE |
| 855085 | BOOKLET USE & CARE V/FREEZER |
| 878428 | LEAFLET WARRANTY F&P |

B2: CABINET ROLLER COMPONENTS

PRE JUNE 1995

FRONT ROLLER ASSEMBLY

POST JUNE 1995



SOFTLINE COMPACT SERIES VERTICAL FREEZER
 KELVINATOR - FRIGIDAIRE
 MODELS F160R & F230R

SECTION IV

B2: CABINET ROLLER COMPONENTS

| REF | PART NO. | DESCRIPTION | |
|-----|----------|---|----------------------|
| | | FRONT ROLLER ASSY | PRE JUNE 1995 |
| 1 | 876310 | ADJUSTER WHEEL - LIGHT GREY | |
| 2 | 900312P | NUT ROLLER M6 X 1.0 ZNPL | |
| 3 | 900311 | SET SCREW M6 X 1.0 X 25 ZNPL (Part of Item 4) | |
| 4 | 875410 | ROLLER CHASSIS | |
| 5 | 875412 | ROLLER LOCK | |
| 6 | 875411 | ROLLER WHEEL | |
| 7 | 900313 | PIN ROLL | |
| | 876637 | ROLLER FRONT ASSEMBLY Includes Items 1-7 | |

| | | | |
|----|--------|---|-----------------------|
| | | FRONT ROLLER ASSY | POST JUNE 1995 |
| | 878452 | PINION ROLLER ASSEMBLY - LIGHT GREY | |
| 9 | 878450 | GEAR ROLLER ASSEMBLY | |
| 10 | 878457 | NUT M5 X 1 ZNPL | |
| 11 | 878456 | SCREW M5 X 25 ZNPL HEX | |
| 12 | 878448 | BRAKE ROLLER ASSEMBLY | |
| 13 | 878446 | CHASSIS ROLLER ASSEMBLY | |
| 14 | 878458 | ROLL PIN 4.5 DIA X 45MM | |
| | 502229 | ROLLER FRONT ASSEMBLY Includes Items 6,8-14 | |

SOFTLINE COMPACT SERIES VERTICAL FREEZER
KELVINATOR - FRIGIDAIRE
MODELS F160R & F230R

SECTION IV

C1: CABINET REAR & COMPRESSOR COMPARTMENT

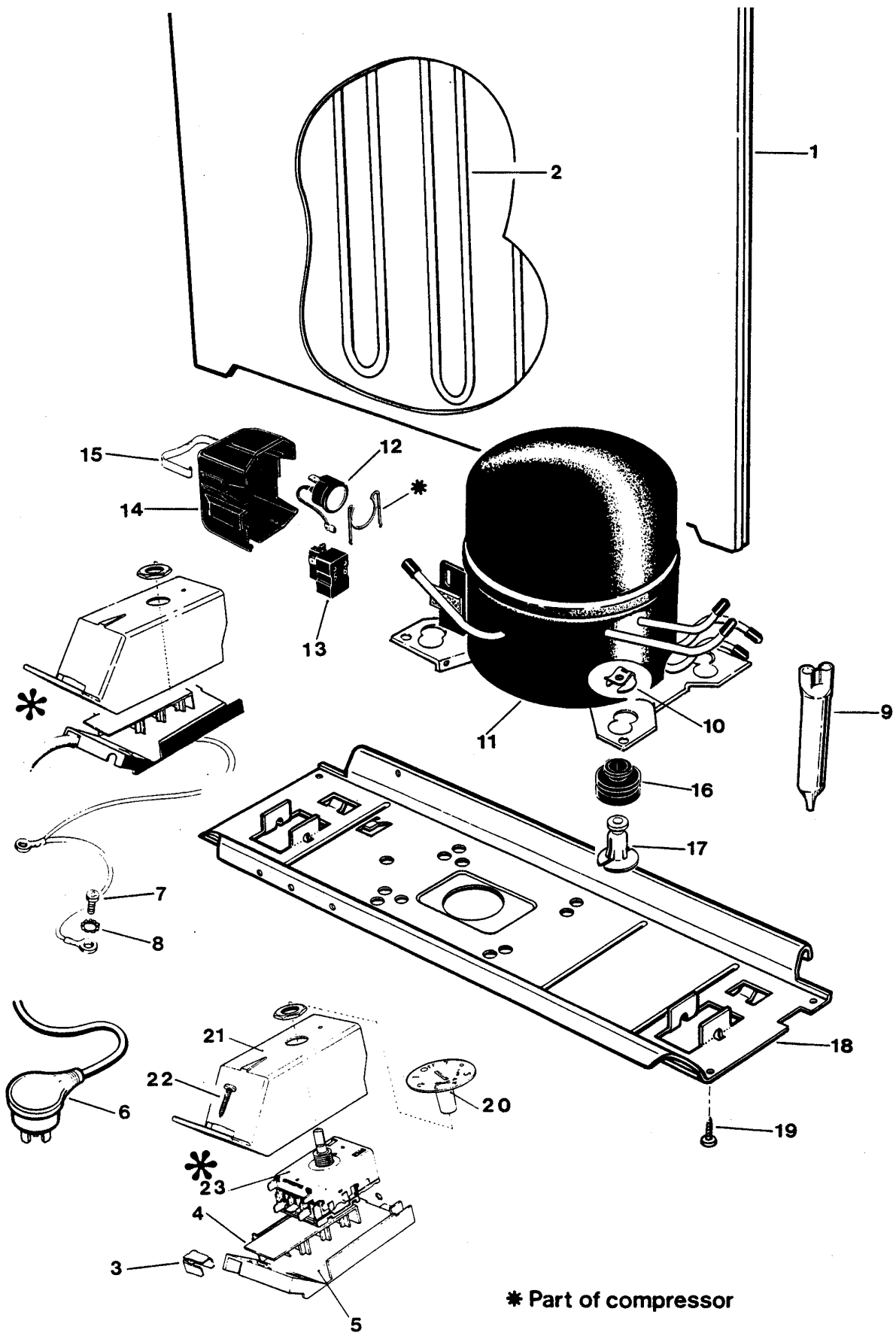
| REF | PART NO. | DESCRIPTION |
|-------|----------|--------------------------------------|
| 1 * | 874875 | BACK PANEL AS SY INCL CONDENSER F160 |
| | 874877 | BACK PANEL ASSY INCL CONDENSER F230 |
| 2 | | CONDENSER INTERNAL - PART OF ITEM 1 |
| 3 | 874338 | TERMINAL 3 WAY UTILUX H1906 |
| 4 | 874950 | INSULATOR TERMINAL BLOCK |
| 5 | 874887 | BASE TERMINAL BLOCK |
| 6 | 816886 | CABLE MAINS SUPPLY |
| 7 | 900377 | SCREW ST 8-32 X 9.5 PAN PH HS ZNPL |
| 8 | SP0351 | WASHER LOCK 5MM EXT ZNPL |
| 9 | 502068 | FILTER 12 GRAM XH9 |
| 10-16 | | REFER FOLLOWING PAGE |
| 17 | 850265 | PIN COMPRESSOR MOUNTING |
| 18 | 873675 | TRAY COMPRESSOR MOUNTING |
| 19 | 900475 | SCREW ST 8 x 16 NIB PAN ZNPL |
| 20 | 874519 | KNOB CONTROL |
| 21 | 872575 | LID CONTROL BOX |
| 22 | SP0006 | SCREW ST 8 X 20 PAN HD ST ZNPL |
| 23 | 878413P | CONTROL RANCO K54-L1896-000 |

ITEMS NOT ILLUSTRATED

| | |
|--------|--|
| 876816 | SUCTION & CAPILLARY LINE (WHITE) F 160 |
| 876989 | SUCTION & CAPILLARY LINE (BLACK) F230 |

* BACK PANEL ASSY INCLUDES:
SEALANT FOAM TAPE AND BACK CONDENSER TAPED TO THE BACK PANEL
WITH ALUMINIUM TAPE.

C1: CABINET REAR & COMPRESSOR COMPARTMENT



SOFTLINE COMPACT SERIES VERTICAL FREEZER
 KELVINATOR - FRIGIDAIRE
 MODELS F160R & F230R

SECTION IV

C1: CABINET REAR & COMPRESSOR

REF PART NO DESCRIPTION

**COMPRESSOR SELECTION
 220/240V 50Hz**

MODEL F160

| | | | |
|----|---------|--------------------------------|-------|
| 10 | 850266 | CLIP COMPRESSOR MOUNTING | |
| 11 | 209298P | COMPRESSOR AS SY SD51C10WA | R134a |
| 12 | | OVERLOAD-INTERNAL | |
| 13 | 209988 | RELAY PTC D SERIES MM8-5DDT33M | |
| 14 | 209788 | COVER PROTECTOR COMPRESSOR | |
| 15 | | NOT USED | |
| 16 | 872838 | GROMMET COMPRESSOR MOUNTING | |

MODEL F230

| | | | |
|----|---------|--------------------------------|-------|
| 10 | 850266 | CLIP COMPRESSOR MOUNTING | |
| 11 | 209917P | COMPRESSOR NL6F | R134a |
| 12 | | OVERLOAD - INTERNAL | |
| 13 | 209757 | RELAY DANFOSS (PTC) 103N0011 | |
| 14 | 209758 | COVER PROTECTOR RELAY 103N2010 | |
| NI | 209780 | CORD RELIEF ASSEMBLY DANFOSS | |
| 16 | 872838 | GROMMET COMPRESSOR MOUNTING | |
| 10 | 850266 | CLIP COMPRESSOR MOUNTING | |
| 11 | 209798P | COMPRESSOR FGS70HA | R134a |
| 12 | 209890 | OVERLOAD 4TMI89NFBYY-53 | |
| 13 | 209993 | RELAY (PTC) EMBRACO 8EA 503 | |
| 14 | 209995 | COVER PROTECTOR RELAY EMBRACO | |
| NI | 209996 | RETAINER CABLE | |
| 16 | 872838 | GROMMET COMPRESSOR MOUNTING | |