

## fan forced elements

Product Number:  
1976



**Fan Forced Oven Element**

- 2400W
- Chef Fan Forced (Early Models)

Product Number:  
10252



**Fan Forced Oven Element**

- 2400W
- ILVE, Blanco, Technika
- Rosiere, Pacific Gorenje

Product Number:  
10318



**Fan Forced Oven Element**

- 2200W
- Later Models
- Westinghouse, Chef & Simpson

Product Number:  
ERM170



**Fan Forced Oven Element**

- 2200W
- Electrolux, Westinghouse

Product Number:  
10758



**Fan Forced Oven Element**

- 2200W
- With Bolts
- Smeg, Omega & Others

Product Number:  
9666



**Fan Forced Oven Element**

- 2500W - Triple Ring
- Blanco, Glem, Ariston, Miele, Linea, Whirlpool, Baumatic, Zanussi and More

Product Number:  
9683



**Motor Fan Forced Oven**

- Universal Kit
- Fits Most Brands

Product Number:  
A29



**Indicator Round Series 9000 (9.5mm Hole)**

- Green, Red & Amber
- A29: Red, A29A: Amber, A29G: Green

Product Number:  
203174



**Fan Forced Oven Element**

- 2400W
- Smeg, Blanco, AEG, Omega, LA Germania

Product Number:  
KM77X2277



**Fan Forced Oven Element**

- 2000W
- Kleenmaid & More

Product Number:  
FP447752



**Fan Forced Oven Element**

- Fisher & Paykel/Neff

Product Numbers:  
UNI100  
9330



**Oven Globes 300°C Pilot**

- UNI100 - 15W SES
- 9330 - 25W ES

## globes & neons

# quartz lamp & lamp holder

Product Number:  
3666 - 4800W



Copper Water Heater  
Element Offset - Bolt On

## water heating elements & thermostats

### No Leads

9416 Quartz Lamp holders (pair) – suit ceramic end lamps  
9415 - 500w 240v ceramic ends 232mm

### With Leads

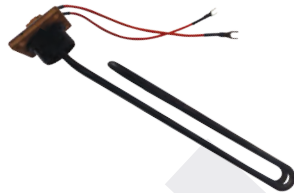
9403 – 500w 120v ceramic ends 210mm  
9404 – 500w 120v metal ends 220mm  
9405 – 500w 240v ceramic ends 210mm  
9406 – 500w 240v metal ends 220mm  
9407 – 1000w 240v ceramic ends 345mm  
9408 – 1000w 240v metal ends 345mm

Product Numbers:  
3666S - 4800W  
3665S - 3600W  
3663S - 2400W



Copper  
Water Heating  
Element Sickle - Bolt On

Product Numbers:  
1321XN - 4800W  
1331XN - 3600W  
1330XN - 3000W  
1329XN - 2400W



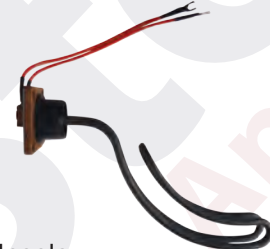
Incoloy  
Water Heating  
Element Offset - Bolt On

Product Number:  
20433-3-1



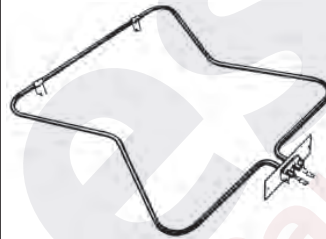
Thermostat Surface  
• 60-82°C  
• Eco 95 C 30A

Product Numbers:  
1321XSN - 4800W  
1331XSN - 3600W  
1330XSN - 3000W



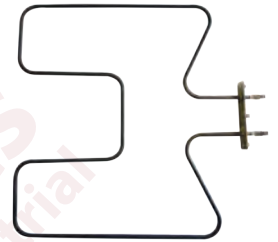
Incoloy  
Water Heating  
Element Sickle - Bolt On

Product Number:  
1893



Oven Element  
• 2400W  
• Chef Early Models

Product Number:  
GC566-1170



Oven Element  
• 1300W  
• Technika, Linea, Baumatic,  
Nobel Linea, Pacini & More

Product Number:  
10319



Grill Element  
• 2200W  
• Chef, Simpson & Westinghouse

Product Number:  
10323



Clean Heat Element  
• 2000W  
• Chef, Simpson & Westinghouse

Product Number:  
ST1205



Thermostat Surface  
• 60C - 80C  
• Eco 88C (WIM2/80)

Product Number:  
ST1201



Thermostat Surface  
• 50C - 70C  
• Eco 88C (W1M270)

Product Number:  
ST1301



Hot Water Thermostat  
• Auto Reset & Internal Fuse  
• Used in Most Solar Units

Product Number:  
1264-22



Gasket  
• Suits Bolt-On  
Water Heating Elements  
• HQ Boot Type



Product Numbers:  
1090-05 8"  
1091-05 6¼"

**Drip Pans**  
•Suits Most 8 inch & 6¼ inch Elements

Product Numbers:  
1255-42 8"  
1256-07 6¼"

**Trim Rings**  
•Suits Most 8 inch & 6¼ inch Elements

Product Numbers:  
3501-09 180mm  
3503-09 145mm

**Trim Ring & Socket**  
•180mm, 145mm  
•Suit 3501-10 & 3503-10 Elements

Product Number:  
9613

**Oven Element**  
•1800W  
•Simpson, Westinghouse & More

Product Numbers:  
1801-10 2100W 8"  
1803-10 1250W 6¼"

**Hot Plates**  
•8" = 2100W, 6¼" = 1250W  
•Chef & Other Early Models

Product Numbers:  
9525 1800W 180mm  
9523 1100W 145mm

**Hotplates Westinghouse**  
•Includes Trim Ring  
•1800W & 1100W

Product Numbers:  
9561 2050W 8"  
9560 1250W 6¼"

**Hotplates Mono Tube Type**  
•2050W & 1250W

Product Number:  
11656

**Oven Element**  
•1800W  
•Electrolux Models 2009 Onwards

Product Numbers:  
3501-10 1800W 180mm  
3503-10 1100W 145mm

**Hot Plates Chef & Other Later Models**  
•1800W & 1100W

Product Numbers:  
2431 2100W 8"  
2433 1250W 6¼"

**Hot Plates**  
•2100W & 1250W

Product Numbers:  
9729 BR 1800W 180mm  
9730 BR 1200W 145mm

**Hot Plates With Brown Drip Pans**  
•1800W & 1200W

Product Numbers:  
1889 2000W 180mm  
1888 1500W 145mm

**Solid Hotplates**  
•HP-8mm Trim

Product Numbers:  
3401 2000W 180mm  
3402 1500W 145mm

**Sintered Solid Hotplates**  
•LP - 4-5mm Trim

Product Numbers:  
3631 2000W 180mm  
3632 1500W 145mm

**Sintered Solid Hotplates**  
•No Ring LP

Product Numbers:  
1889-06 180mm  
1888-06 145mm

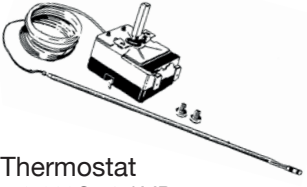
**Metric Adaptor Ring**  
•Glass Top Hobs



# controls & thermostats


# misc...

Product Number:  
9780



**Thermostat**  
 • 50-320C 16 AMP  
 • Knob to Suit 9780K

Product Number:  
7410-E



**Thermostat**  
 • Capillary 50-320 C  
 • 55.18064.020

Product Number:  
FP571071




**Thermostat**  
 • 50-320 C 16A Angular  
 • Knob to Suit 9780K

Product Number:  
ERM510



**2 Hour Timer**  
 • 2 Hour Cut Off  
 PEAPSA

Product Number:  
EA3-447-08



**Thermostat**  
 • 70-290°C (older appliance brands)  
 • Knob to Suit 103K

Product Number:  
EFG-201



**Oven Thermostat**  
 • 50-300 Deg C

Product Number:  
TYJ6303



**Simmerstat Control**  
 • 13 AMP  
 • Commonly Used in Bain Maries  
 • Knob to Suit TY JK W

Product Number:  
9032



**Fuse Wire Card**  
 • 8A 16A 20A & 30A

Product Number:  
7405



**Infinite Control**  
 • 12A, 50.56078.007  
 • Knob to Suit 7405K

Product Number:  
MP-101



**Energy Regulator**  
 • SPSC with Pilot  
 • Used in Many Brands

Product Number:  
MSAV01-C



**Energy Regulator**  
 • 6mm Shaft  
 • Blanco, Damani & More

Product Number:  
SG3



**Portable Immersion Element**  
 • 2400W

Product Number:  
M323-14



**Infinite Control**  
 • 15A Double Pole

Product Number:  
M553-14



**Infinite Control**  
 • 12A (15A)  
 • Knob to Suit 102K

Product Number:  
M583-14



**Infinite Control**  
 • 12A (15A)

Product Number:  
9737




**Spring Oven Door**  
 • Chef & Others

Product Number:  
M823-14




**Infinite Control Divided**  
 • 12A (15A)

Product Number:  
ERM095



**Rocker Switch**  
 • Rounded Corners  
 • White

Product Number:  
ERM009



**Rocker Switch**  
 • White

Product Number:  
9897



**Hinge Nova Star 'AF'**  
 • Simpson/ Westinghouse  
 • Single Hinge