



# STOKES

## Appliance Parts

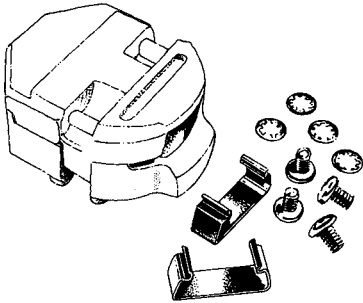
# Service Manual

### Element Accessories Section C

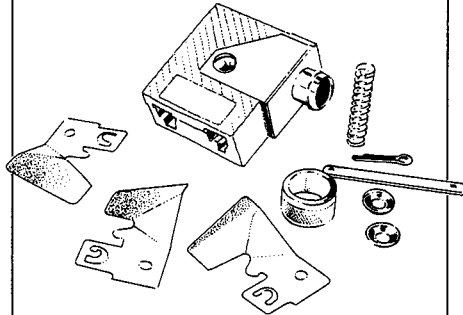
**Includes:**  
Sockets, Trim Rings, Drip Pans

**Stokes Appliance Parts - National Administration Centre**  
24 Palmerston Road West, Ringwood, Victoria 3134, Australia  
Ph: 61 3 9872 7474 Fax: 61 3 9872 7400 Freecall: 1800 333 191  
E-mail: [parts@stokes-aus.com.au](mailto:parts@stokes-aus.com.au) Web: [www.stokesap.com.au](http://www.stokesap.com.au)

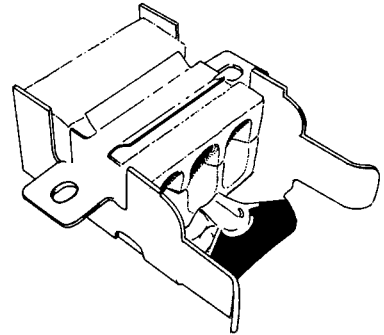
**Socket Assemblies**



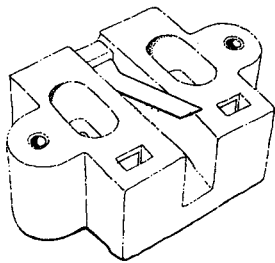
**Cat No. 004-30**  
Socket Assembly  
Suit 166, 167, 168, 004 & 005  
Hotplates



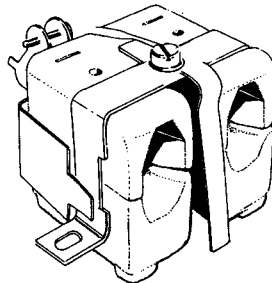
**Cat No. 1090-36**  
Socket Assembly  
Suit 1090, 1091, 1092 & 089-6



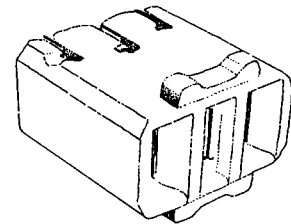
**Cat No. 1190-20**  
Socket Assembly  
Suit 1190-10, 1191-10 & 1192-10



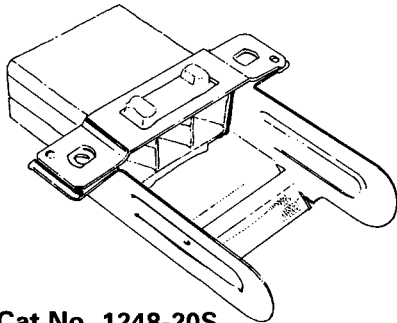
**Cat No. 1245-20**  
Socket Assembly  
Suit 1901, 1902 & 1903 Hotplates  
except St George ranges



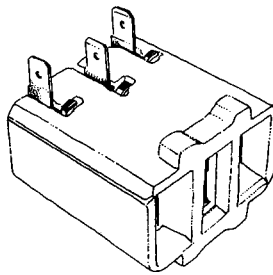
**Cat No. 1245-30**  
Socket Assembly  
Suit 1901, 1902 & 1903  
only in St George ranges



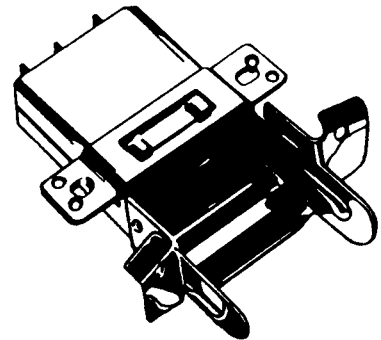
**Cat No. 1248-20H**  
Socket Assembly  
Horizontal Terminals – suit 1248-10,  
1249-10 & 1250-10 hotplates



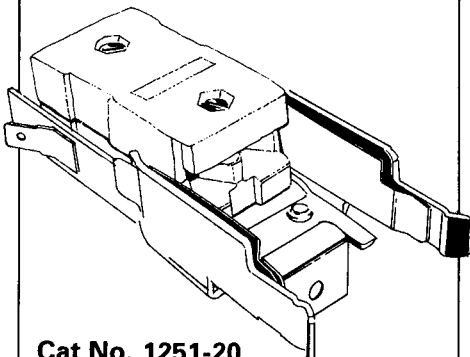
**Cat No. 1248-20S**  
Socket Assembly  
Shallow Mount – suit 1248-10S &  
1250-10S Hotplates



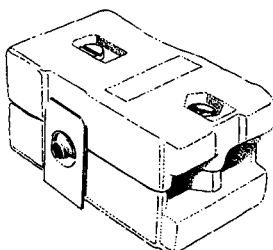
**Cat No. 1248-20V**  
Socket Assembly  
Vertical Terminals – suit 1248-10,  
1249-10 & 1250-10 Hotplates



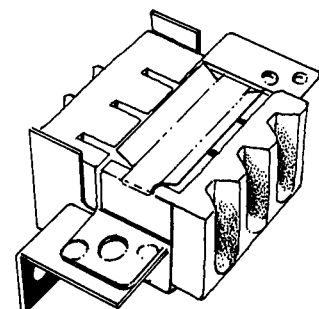
**Cat No. 1248-21**  
Socket – Down Turn Mount  
Suit 1248-10S & 1250-10S



**Cat No. 1251-20**  
Socket Assembly – Suit 1251-10 &  
1253-10 Hotplates in Malleys  
and GEC ranges

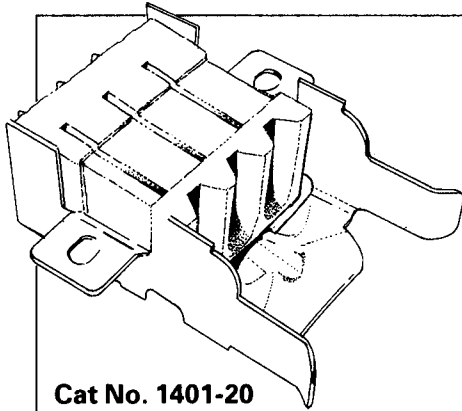


**Cat No. 1251-30**  
Ceramic Insert – Suit 1251-10 &  
1253-10 Hotplates in Metters,  
early Malleys & Everhot

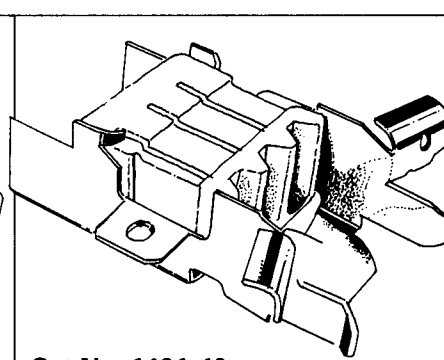


**Cat No. 1272-20**  
Socket Assembly  
Suit 1273 Elements

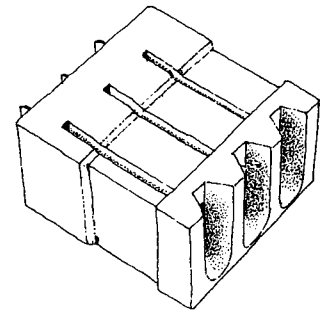
## Socket Assemblies



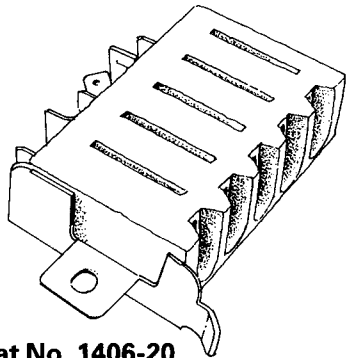
**Cat No. 1401-20**  
Socket Assembly – Suit 1401-10,  
1403-10 & 1405-10



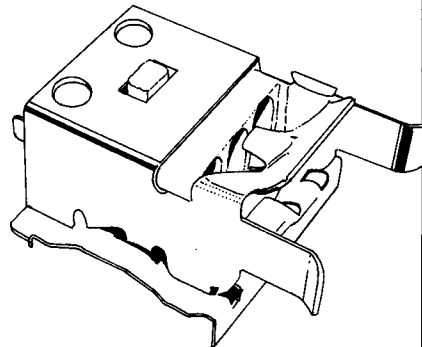
**Cat No. 1401-40**  
Socket Assembly – with Down Turn  
Bracket – Suit 1401-10 & 1403-10  
Hotplates



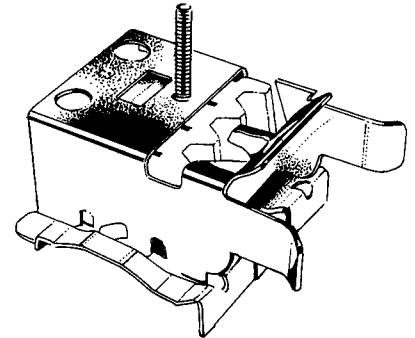
**Cat No. 1401-43**  
Ceramic Insert used in Sockets  
1401-20, 1401-40, 1421-20,  
1421-20A & 1421-20C



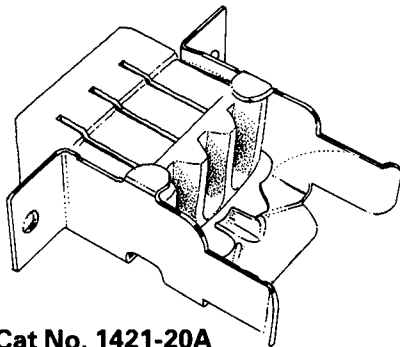
**Cat No. 1406-20**  
Socket Assembly to suit  
Grill Boilers 1406-10



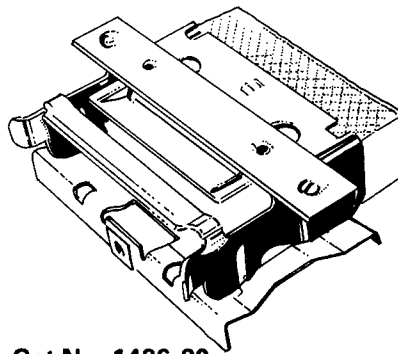
**Cat No. 1421-20**  
Socket Assembly – suits 1421-10,  
1423-10 & 1424-10



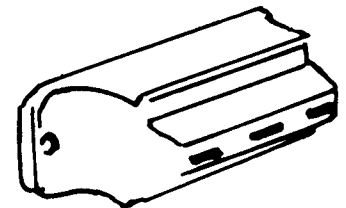
**Cat No. 1421-20C**  
Socket Assembly – with Threaded  
Stud as used in some Chef ranges



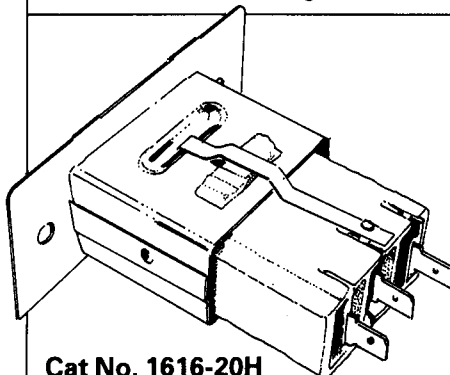
**Cat No. 1421-20A**  
Socket Assembly – suits 1421-10A  
& 1423-10A Hotplates  
Used in New World ranges



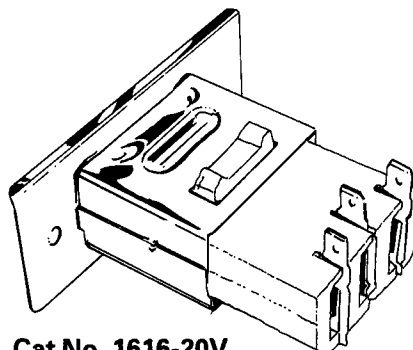
**Cat No. 1426-20**  
Socket Assembly  
Suits Grill Boiler 1426-10



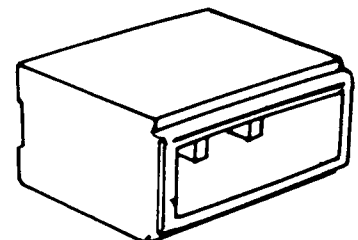
**Cat No. 1581-20**  
Insulator – suits Oven Elements  
1679 & 1581



**Cat No. 1616-20H**  
Socket Assembly with Horizontal  
Connection used with 1616, 1617,  
1618, 1619 & 1620

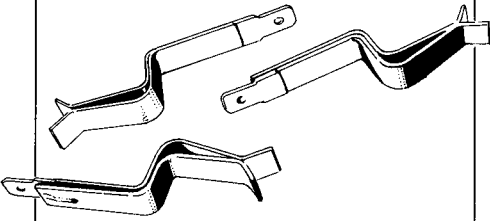
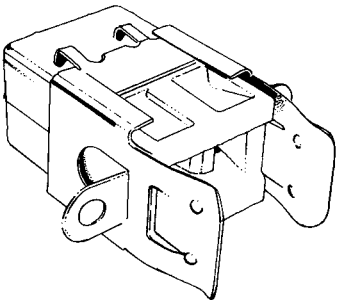
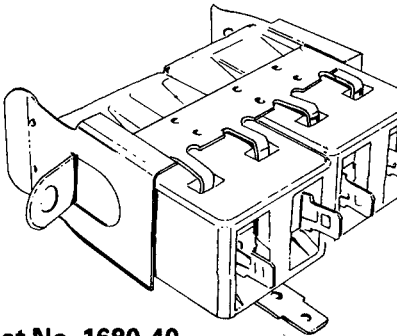
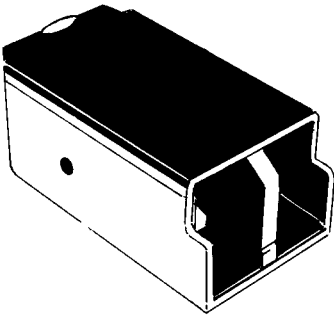
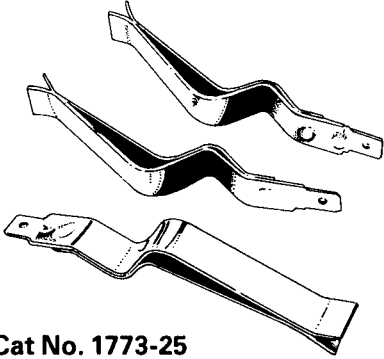
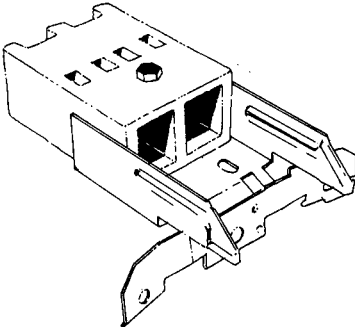
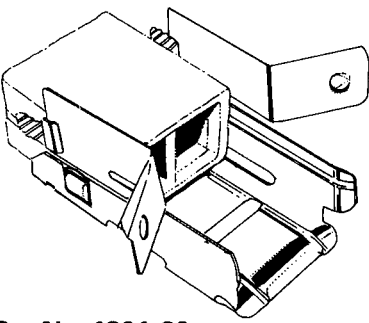
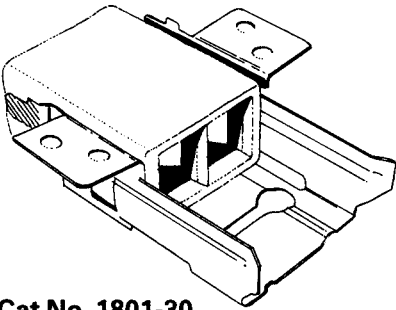
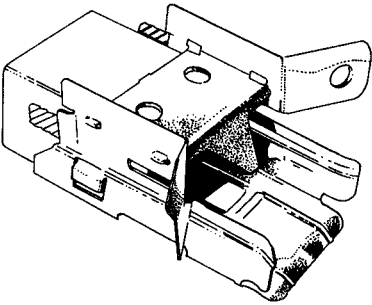
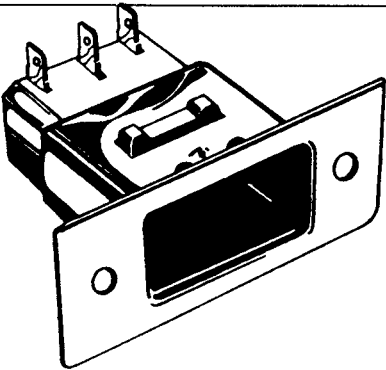
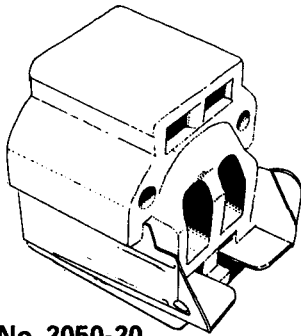
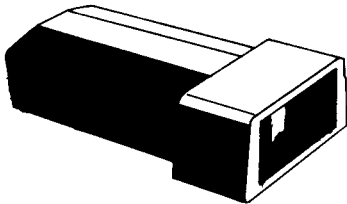


**Cat No. 1616-20V**  
Socket Assembly with Vertical  
Connection used with 1616, 1617,  
1618, 1619 & 1620

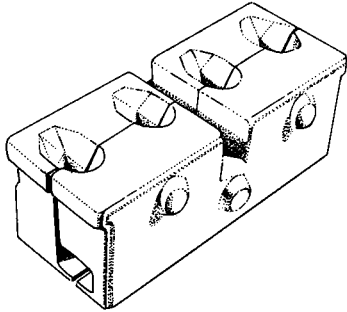


**Cat No. 1679-20**  
Socket Assembly – suits  
Oven Elements 1679 & 1581

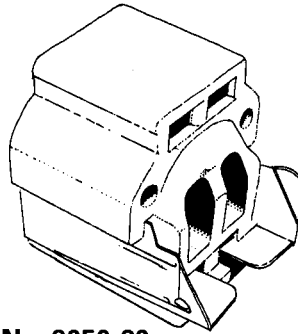
Socket Assemblies

 <p><b>Cat No. 1679-25</b> Contact Pins – set of 3 Used in Malleys ranges</p>	 <p><b>Cat No. 1680-20</b> Socket Assembly – suits 1680, 1681 &amp; 1887 elements</p>	 <p><b>Cat No. 1680-40</b> Socket Assembly – Suits 1929 &amp; 2474 grills</p>
 <p><b>Cat No. 1748-20</b> Phenolic Socket – Suits 1748 &amp; 1749 hotplates</p>	 <p><b>Cat No. 1773-25</b> Contact Pins – set of 3 Used in Frigidaire ranges</p>	 <p><b>Cat No. 1782-20</b> Socket Assembly – suits 1751, 1753, 1782LH, 1783RH and 1784 elements</p>
 <p><b>Cat No. 1801-20</b> Socket Assembly Suits 1801-10 &amp; 1803-10 hotplates</p>	 <p><b>Cat No. 1801-30</b> Socket Assembly used in Modern Maid ranges with 1801-10 &amp; 1803-10 hotplates</p>	 <p><b>Cat No. 1804-20</b> Socket Assembly Suits 1804-10LS hotplates</p>
 <p><b>Cat No. 1928-20</b> Socket Assembly – suits Oven Element 1928 – Email 822484</p>	 <p><b>Cat No. 2050-20</b> Socket Assembly – suits 1050-10, 1051-10, 1052-10 in Simpson ranges</p>	 <p><b>Cat No. 2441-20</b> Socket – suits 2441-10 &amp; 2443-10 in Everhot ranges (LIMITED AVAILABILITY)</p>

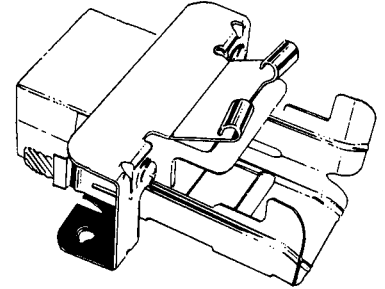
Socket Assemblies



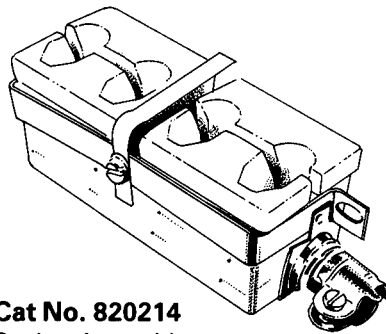
**Cat No. 2489-20**  
Socket Assembly – suits  
Grill Boilers 2489 & 2477  
– Email 823053



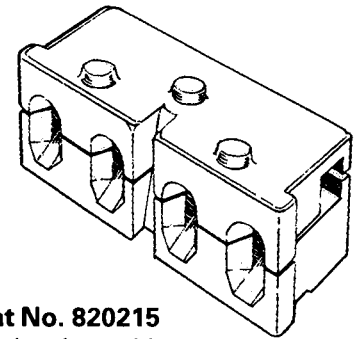
**Cat No. 3050-20**  
Socket Assembly to suit  
1050-10, 1051-10, 1052-10  
in Chef ranges



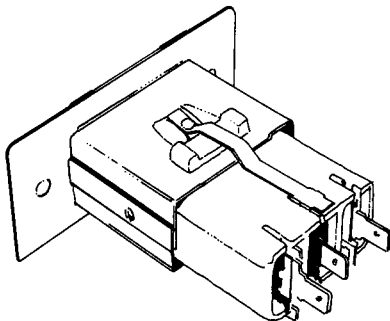
**Cat No. 3521-20**  
Socket Assembly – suits 3501-10,  
3503-10 and new hotplates 3781  
& 3783



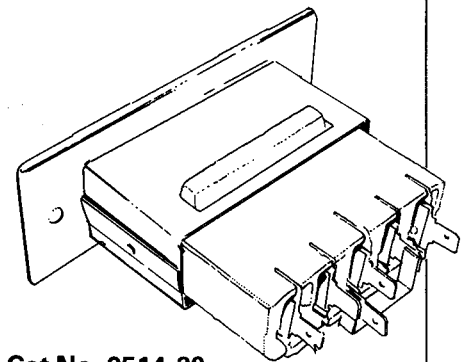
**Cat No. 820214**  
Socket Assembly  
Right Hand Entry – suits 2489 and  
Email 820351 elements



**Cat No. 820215**  
Socket Assembly  
Rear Entry – suits 2489 and Email  
820351 elements

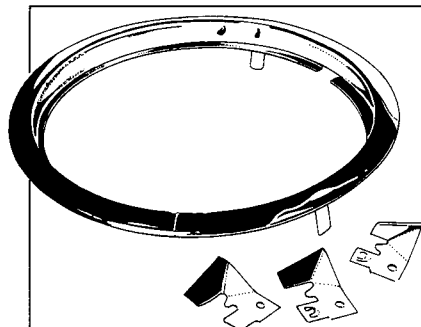


**Cat No. 821543**  
Socket Assembly – suits  
2436 & 821359 elements

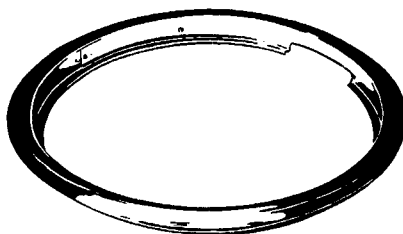


**Cat No. 9514-20**  
Socket Assembly – suits 9514 Grill  
– Email 821299

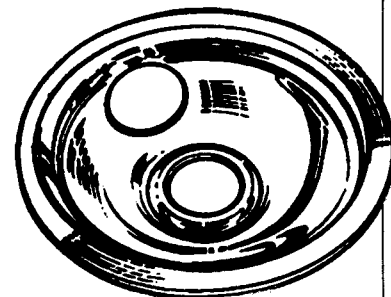
Trim Rings



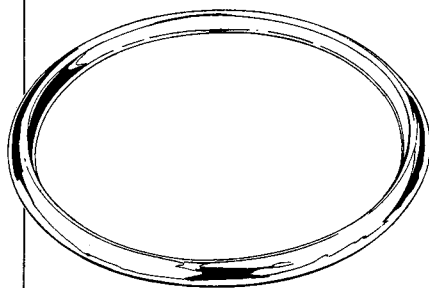
**Cat No. 1090-52 8" Trim**  
**Cat No. 1091-52 6¼" Trim**  
Ring Assembly includes Snap Clips  
Used in most wired-in hobs



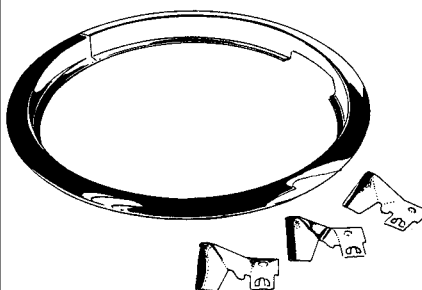
**Cat No. 1255-42 8" Trim**  
**Cat No. 1256-07 6¼" Trim**  
Ring Assembly – used in most  
plug-in hotplates except 1901,  
1902 & 1903



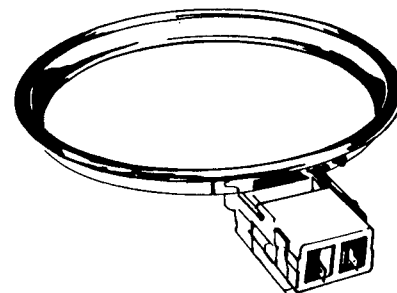
**Cat No. 1255-05 8" Trim**  
**Cat No. 1256-05 6¼" Trim**  
Trim Ring and Drip Pan ONE PIECE.  
Replaces both 1255-42/1090 &  
1256-07/1091-05



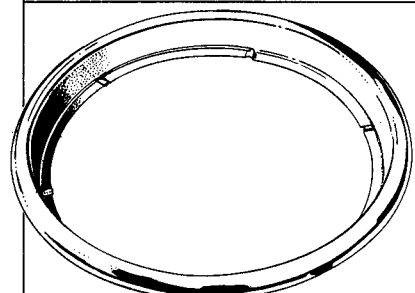
**Cat No. 1889-06 180mm Trim**  
**Cat No. 1888-06 145mm Trim**  
Metric Adaptor Ring for  
Glass Top Hobs



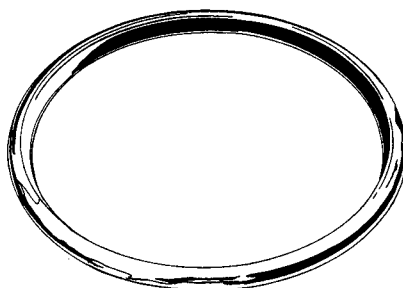
**Cat No. 1901-09 8" Trim**  
**Cat No. 1903-09 6¼" Trim**  
Ring Assemblies – used with  
1901 & 1903 hotplates



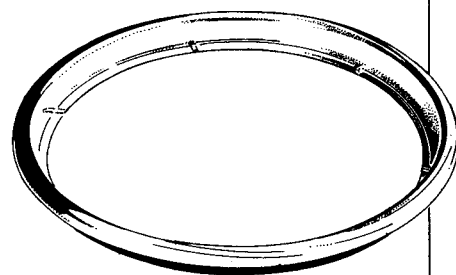
**Cat No. 3501-09 180mm Trim**  
**Cat No. 3503-09 145mm Trim**  
Trim Ring and Socket Combination  
to suit 3501-10 & 3503-10 on  
Chef ranges



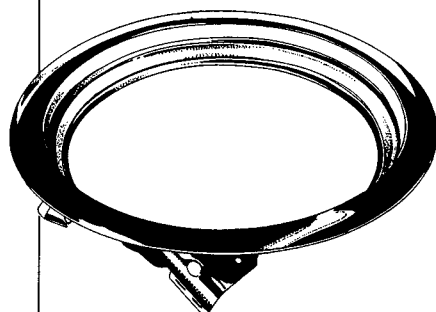
**Cat No. 3521-09 180mm**  
**Cat No. 3523-09 145mm**  
Trim Ring only to suit 3501-10 &  
3503-10 hotplates on recent  
Chef ranges



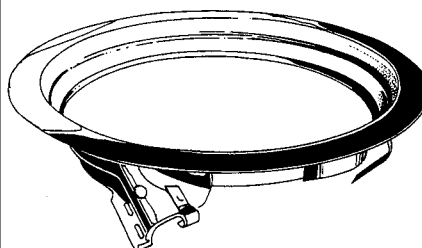
**Cat No. 545-1-907 180mm**  
**Cat No. 545-1-908 145mm**  
Trim Ring (Stainless Steel) to suit  
Stokes 9525 & 9523



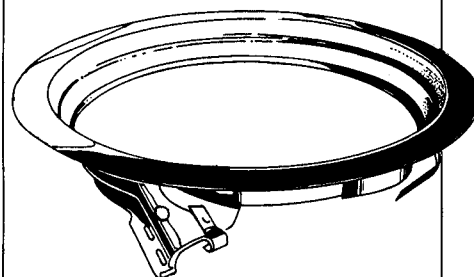
**Cat No. 9525-09 180mm**  
**Cat No. 9523-09 145mm**  
Trim Ring (Stainless Steel) to suit  
Stokes 9525 & 9523



**Cat No. X301 8" Trim**  
**Cat No. X302 6¼" Trim**  
To suit 166 & 167 hotplates

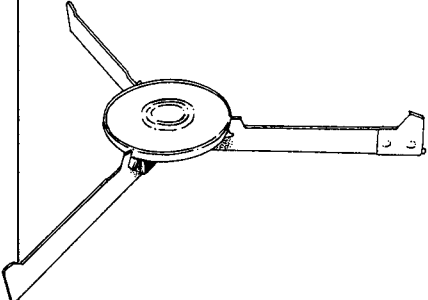
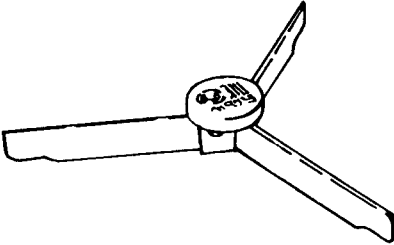
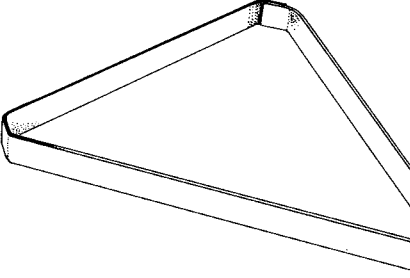
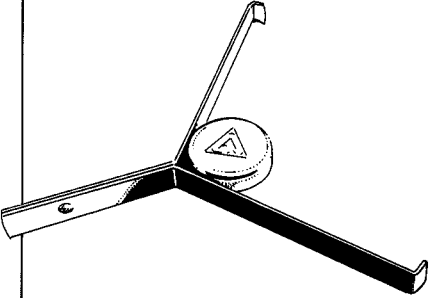
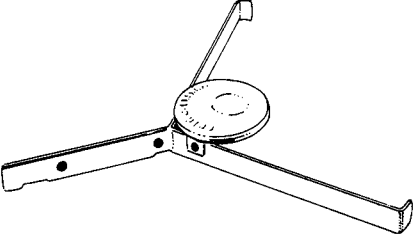
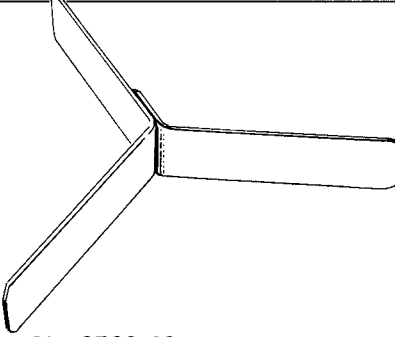
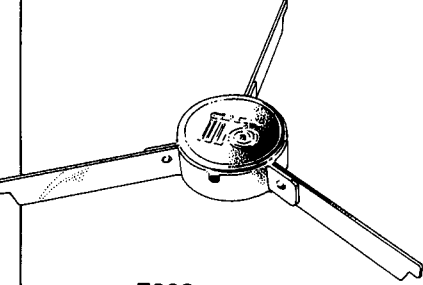
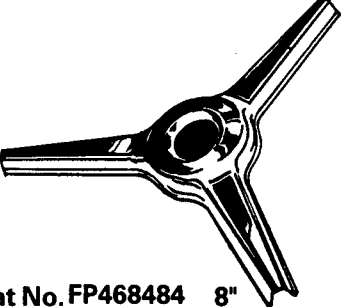


**Cat No. X1371H 8" Trim**  
**Cat No. X1381H 6¼" Trim**  
Trim Ring 11/16" wide – suits  
0041H & 0051H hotplates

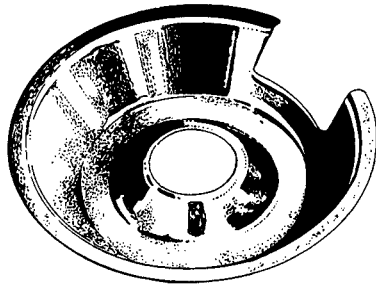


**Cat No. X137RH 8" Trim**  
**Cat No. X138RH 6¼" Trim**  
Trim Ring 15/16" wide – suits  
004RH, 005RH & 089-6 hotplates

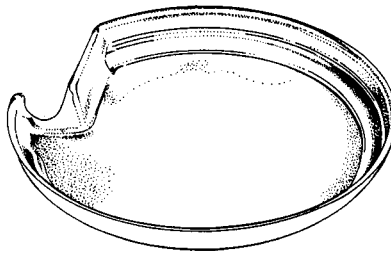
## Supports

 <p><b>Cat No. 1901-19</b> 8"  <b>Cat No. 1903-19</b> 6¼"            Support to suit Stokes 1901 and 1903 hotplates</p>	 <p><b>Cat No. 1980-19</b> 180mm  <b>Cat No. 1982-19</b> 145mm            Support to suit Stokes 1980 and 1982 hotplates</p>	 <p><b>Cat No. 2092-29</b> 180mm  <b>Cat No. 2093-29</b> 145mm            Support to suit Stokes 2092 and 2093 hotplates</p>
 <p><b>Cat No. 2421-19</b> 8"  <b>Cat No. 2423-19</b> 6¼"            Support to suit Stokes 2421 and 2423 hotplates</p>	 <p><b>Cat No. 2521-19</b> 8"  <b>Cat No. 2523-19</b> 6¼"            Support to suit Stokes 2521 and 2523 hotplates</p>	 <p><b>Cat No. 9529-19</b> 180mm  <b>Cat No. 9530-19</b> 145mm            Support to suit Stokes 9529 and 9530 hotplates</p>
 <p><b>Cat No. F209</b> 8"  <b>Cat No. F210</b> 6¼"            Support to suit Stokes 004, 005 and 089-6 hotplates</p>	 <p><b>Cat No. FP468484</b> 8"  <b>Cat No. FP468483</b> 6¼"            Support to suit Frigidaire Monotubes</p>	

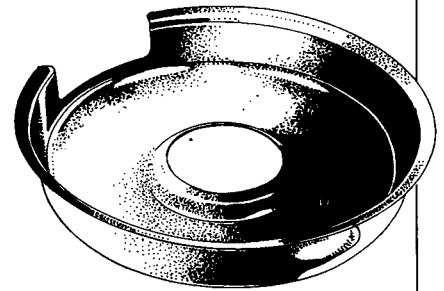
Drip Pans



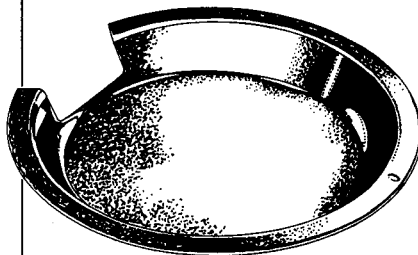
**Cat No. 1090-05 8"**  
**Cat No. 1091-05 6¼"**  
Drip Pan – Black Enamel  
Suits most plug-in hotplates  
including 1090, 1091 & 1092



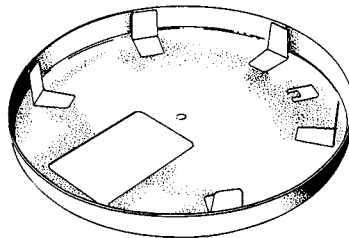
**Cat No. 2092-07 180mm**  
**Cat No. 2093-07 145mm**  
Drip Pan/Reflector to suit  
2092, 2093 hotplates



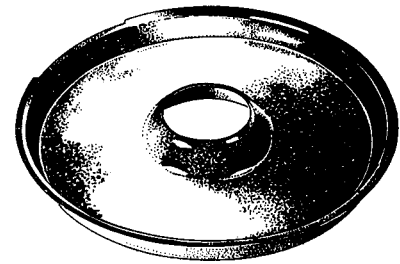
**Cat No. 266P3 8"**  
**Cat No. 265P3 6¼"**  
Drip Pan – Black Enamel to suit  
some Email plug-in hotplates



**Cat No. 3501-05 180mm**  
**Cat No. 3503-05 145mm**  
Drip Pan to suit Stokes 3501-10  
& 3503-10 hotplates



**Cat No. 3581-05 180mm**  
**Cat No. 3582-05 145mm**  
Locating Bowl used when replacing  
old Solid Hotplates 3581/3582 with  
3531/3532



**Cat No. G225 8"**  
**Cat No. G229 6¼"**  
Drip Pan – Black Enamel – suits  
004, 005, 166, 167, 164, 165, 170  
& 089-6 hotplates



**Cat No. 1090-91**  
Foil Spill Trays  
Packet contains 4 large and 8 small